



INTRINSICALLY SAFE Pressure Transducer / Transmitter AST4401

Overview

The AST4401 is a stainless steel pressure transducer with a wide variety of options. With its rugged construction and best price-to-performance ratio in the industry, the AST4401 is the solution for pressure measurement in Intrinsically Safe areas.

Benefits

- Class I Division 1 Groups A, B, C, D Intrinsically Safe when installed with approved barrier (UL / CSA)
- ATEX / IECEx: Class I Zone 0 Exia IIC T4 Ga (Ta = -40°C to +80°C)
- Leading sensor technology available in 316L stainless steel, Hastelloy C276 or Inconel 718
- 4-20mA or voltage outputs

Applications

- Industrial OEM Equipment
- Water Management
- Pneumatics
- Hydrogen Storage
- Sub Sea Pressure
- HVAC/R Equipment
- Control Panels
- Hydraulic Systems
- Data Loggers

INTRINSICALLY SAFE

AST4401 Pressure Transducer / Transmitter

Performance @ 25°C (77°F)

Accuracy	< ±0.25% BFSL (<±0.5% from 7,500 up to 20,000 PSI)
Stability (1 year)	±0.25% FS, typical
Over Range Protection	2X Rated Pressure, Minimum
Burst Pressure	5X or 40,000 PSI (whichever is less)
Pressure Cycles	>100 Million

Environmental Data

Temperature

Operating	-40 to 80°C (-40 to 176°F)
Storage	-40 to 100°C (-40 to 212°F)

0-100% relative humidity, non-condensing

Thermal Limits

Compensated Range 0 to 55°C (32 to 132°F)

TC Zero	<±1.5% of FS
TC Span	<±1.5% of FS

Other

Shock	EN 60068-2-27
Vibration	EN 60068-2-6, 60068-2-64, and IEC 68-2-32
EMI/RFI Protection:	Yes
Rating:	IP-66, min

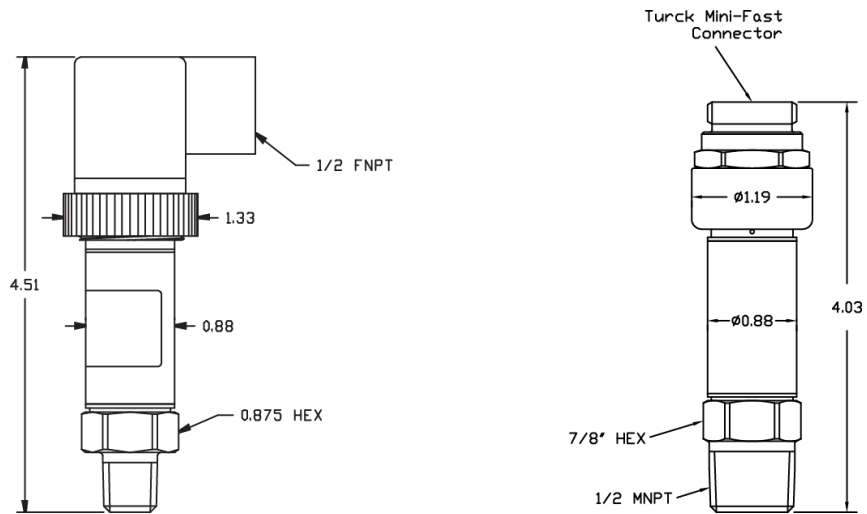
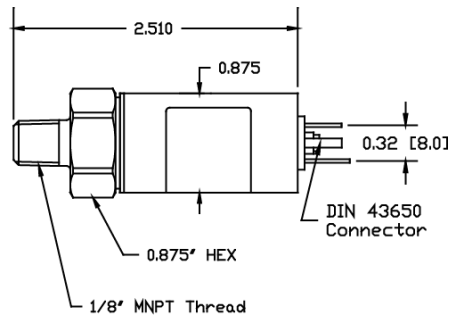
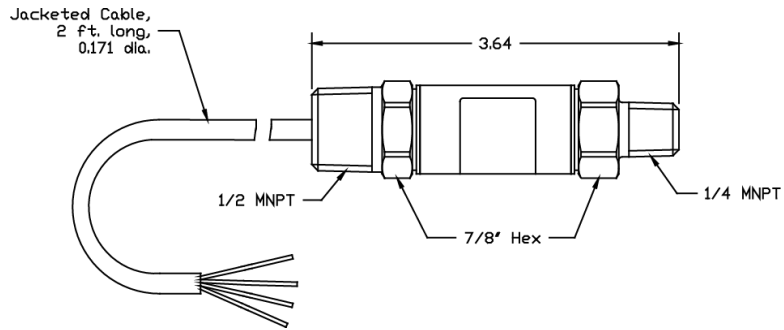
Electrical Data

Output	4-20mA	1-5VDC, 1-6VDC	0.5-4.5V Ratiometric
Excitation	10-14.5VDC	10-14.5VDC	5VDC, regulated
Output Impedance	>10k Ohms	<100 Ohms, Nominal	<100 Ohms, Nominal
Current Consumption:	20mA, typical	5mA, typical	<10mA
Bandwidth	(-3dB): DC to 250 Hz	(-3dB): DC to 1kHz	(-3dB): DC to 1kHz
Output Noise	-	<2mV RMS	<2mV RMS
Zero Offset:	<±1% of FS	<±1% of FS	<±1% of FS
Span Tolerance:	<±2% of FS	<±1.5% of FS	<±1.5% of FS
Output Load:	0-800 Ohms@10-28VDC	10k Ohms, Min.	10K Ohms, Min.
Reverse Polarity Protection	Yes	Yes	Yes

INTRINSICALLY SAFE

AST4401 Pressure Transducer / Transmitter

Dimensions

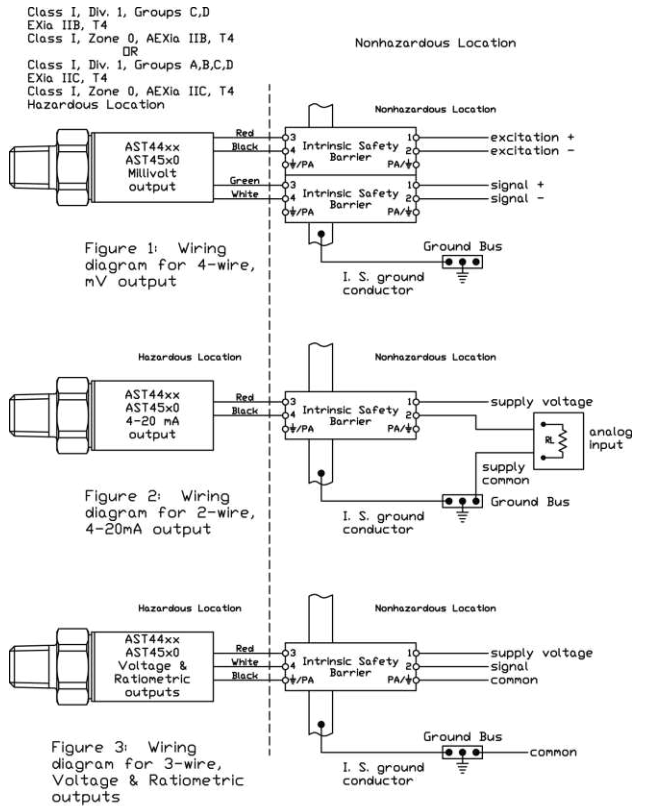
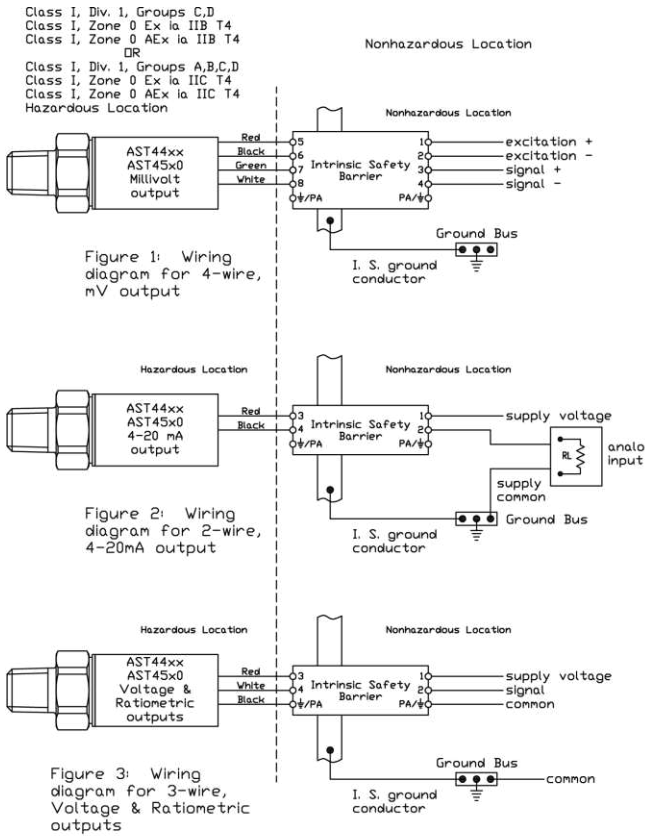


INTRINSICALLY SAFE

AST4401 Pressure Transducer / Transmitter

UL Approved Barrier Installation / A01657

CSA Approved Barrier Installation / A08949



The transducers listed below are designed for installation in EITHER Class I, Division 1, Groups C,D; Class I, Zone 0 Group IIB OR Class I, Division 1, Groups A,B,C,D; Class I, Zone 0 Group IIC hazardous locations when connected to Associated Apparatus as described in note 1.

Entity Parameters

Models AST4400, AST44LP, AST4500, AST4510, AST4520
Class I, Div. 1, Groups C,D; Class I, Zone 0 Ex ia IIB T4; Class I, Zone 0 AEx ia IIB T4
Vmax = 28V

Model AST4401
Class I, Div. 1, Groups A,B,C,D; Class I, Zone 0 Ex ia IIC T4; Class I, Zone 0 AEx ia IIC T4
Vmax = 14.5V

4-20mA with integral connector	4-20mA with upto 1000ft of integral cable	All EXCEPT 4-20mA with integral connector	All EXCEPT 4-20mA with upto 150ft of integral cable
Pmax = 651 mW Imax = 93 mA Ci = 0.391 uF Li = 0 uH	Pmax = 651 mW Imax = 93 mA Ci = 0.434 uF Li = 0 uH	Pmax = 651 mW Imax = 93 mA Ci = 0.643 uF Li = 0 uH	Pmax = 651 mW Imax = 93 mA Ci = 0.649 uF Li = 0 uH

Isc or Io is the total current available from the Associated Apparatus under any condition.

1. The following conditions must be satisfied:

$$V_{oc} \text{ or } U_o \leq V_{max} \quad C_a \text{ or } C_o \geq C_i + C_{cable}$$

$$I_{sc} \text{ or } I_o \leq I_{max} \quad L_a \text{ or } L_o \geq L_i + L_{cable}$$

$$P_o \leq P_i \text{ (if applicable)}$$

Total customer cable length for 4-20mA transmitters not to exceed 4000ft.
Total customer cable length for all other transmitters not to exceed 150ft.
Where the cable capacitance and inductance per foot are not known, the following values shall be used: C_{cable} = 60pF/ft, L_{cable} = 0.2uH/ft

2. Control Room apparatus shall not generate in excess of 250V (U_{max}).

3. Canadian installations should be in accordance with Canadian Electrical Code, Part I. U.S. installations should be in accordance with Article 504 in the National Electrical Code, ANSI/NFPA 70.

Entity Parameters

Models AST4400, AST44LP, AST4500, AST4510, AST4520, AST4530
Class I, Div. 1, Groups C,D; EXia IIB, T4; Class I, Zone 0, AEXia IIB, T4
Vmax = 28Vdc

Model AST4401
Class I, Div. 1, Groups A,B,C,D; EXia IIC, T4; Class I, Zone 0, AEXia IIC, T4
Vmax = 14.5Vdc

4-20mA with integral connector	4-20mA with upto 1000ft of integral cable	All EXCEPT 4-20mA with integral connector	All EXCEPT 4-20mA with upto 150ft of integral cable
Pmax = 625 mW Imax = 93 mA Ci = 0.391 uF Li = 0	Pmax = 625 mW Imax = 93 mA Ci = 0.434 uF Li = 155 uH	Pmax = 625 mW Imax = 93 mA Ci = 0.643 uF Li = 0	Pmax = 625 mW Imax = 93 mA Ci = 0.649 uF Li = 23.3 uH

1. For installation in accordance with Fig 2, barrier must be a CSA Certified, Single Channel grounded Shunt-Diode Zener Barrier or a Single Channel Isolating Barrier.

2. For installations in accordance with Figs. 1 and 3, one dual-channel or two single-channel barriers may be used, where in either case, both channels have been Certified for use together with combined entity parameters.

3. The following conditions must be satisfied:

$$V_{oc} \text{ or } U_o \leq V_{max} \quad C_a \text{ or } C_o \geq C_i + C_{cable}$$

$$I_{sc} \text{ or } I_o \leq I_{max} \quad L_a \text{ or } L_o \geq L_i + L_{cable}$$

$$P_o \leq P_i \text{ (if applicable)}$$

4. Maximum non-hazardous area voltage must not exceed 250 V.

5. Canadian installations should be in accordance with Canadian Electrical Code, Part I. U.S. installations should be in accordance with Article 504 in the National Electrical Code, ANSI/NFPA 70.

6. A grounding method is not provided by the manufacturer as part of the integral design of the Transducer. For units which are connected through a grounded shunt diode safety barrier, ensure that the transducer is mounted to a surface which is at the same potential as the barrier ground.

7. See user manual for installation conditions.

INTRINSICALLY SAFE

AST4401 Pressure Transducer / Transmitter

Ordering Information

AST4401	A	00500	P	4	L	1	000	-SS			
Series Type											
Process Connection											
A= 1/4" NPT Male			I= 1/4" NPT Female**								
B= 1/8" NPT Male*			P= 1/2" NPT Male								
C= 1/4" BSPP Male			W= F250C Female Autoclave***								
F= 7/16"-20 UNF Male*											
<small>*Not available under 50PSI (not available in 316L) **Pressures up to 15,000 PSI ***Pressures from 10,000 to 20,000 PSI, not available in 316L</small>											
Pressure Range											
Insert 5-digit pressure range code (example: 0-100 PSI = 00100) Ranges between 0-25 PSI and 0-20,000 PSI available. Compound pressure up to -14.7 to 500 PSI.											
Pressure Unit											
B= Bar			K= kg/cm2			P= PSI					
Outputs											
1= 0.5-4.5V ratiometric			4= 4-20mA (2 wire loop powered)								
3= 1-5V			6= 1-6V								
Electrical											
A= 2 ft. (0.6m)			L= Conduit, Cable 2 ft. (0.6 m)								
B= 4 ft. (1.2m)			M= Conduit, Cable 4 ft. (1.2 m)								
C= 6 ft. (1.8m)			N= Conduit, Cable 6 ft. (1.8 m)								
D= 10 ft. (3.0m)			P= Conduit, Cable 10 ft. (3 m)								
E= Mini DIN 43650C			Y= M12x1								
F= Packard Metripack 150 3-Pin			4 = Mini-Fast (CSA Only)								
I= DIN 43650A											
Wetted Material											
0= 17-4PH			1= 316L			2= Inconel 718			4= Hastelloy C276		
Options											
000= No Options											
Approval											
Insert code from approvals chart below [Leave blank for UL ANSI/ISA 12.12.01 Class I Div 1 Intrinsically Safe Groups A, B, C, D (formerly UL913)]											
-SL	IEC 61508 - SIL2 (4-20mA only)										
-SS	CSA157 Class I Div 1 Grps A, B, C, D Intrinsically Safe when installed with approved barrier, ANSI/ISA 12.27.01 Single Seal and ATEX/IECEx Exia IIC Class I, Zone 0, T4										
-Y	IEC 61508 - SIL2 (4-20mA only) + CRN										
-Z	CRN Registered to ANSI/ASME B31.3. Contact factory for material, pressure, and process connection options (includes -SS approvals)										

Note: CSA approved products require case/earth ground electrical connection. See wiring installation sheet for further details

联系方式



深圳市亿为测控电子有限公司
Shenzhen Bill-Well Measurement & Control Electronics Co., Ltd.

地址: 深圳市南山区创业路怡海广场东座 2408 邮编: 518000

电话: (+86) 0755 2641 9890 传真: (+86) 0755 2641 9680

电子邮箱: sales@bill-well.com