



LOW PRESSURE

Intrinsically Safe Transducer AST44LP

Overview

The AST44LP is a stainless steel pressure transducer with a wide variety of options. With its rugged construction and the best price-to-performance ratio in the industry, the AST44LP is the solution for low pressure measurement in Intrinsically Safe areas.

Benefits

- Class I Div 1 Intrinsically Safe Groups C, D when installed with an approved barrier
- ATEX / IECEx: Class I Zone 0 Exia IIB T4 Ga (Ta = -40°C to +80°C)
- High Strength Stainless Steel Construction
- No Internal O-rings
- Wide Operating Temperature
- Pressures from 0-1 to 0-15 PSI
- Low Static and Thermal Errors
- Unparalleled Price and Performance
- Compatible with Wide Variety of Liquids and Gases

Applications

- Industrial OEM Equipment
- HVAC/R Equipment
- Water Management and External Tank Levels
- Control Panels
- Pneumatics and Hydraulic Systems
- Vapor Recovery
- Data Loggers

LOW PRESSURE

AST44LP Intrinsically Safe Pressure Transducer / Transmitter

Performance @ 25°C (77°F)

Accuracy	< ±0.25% BFSL (<±0.5% for 0-1 PSI)
Stability (1 year)	±0.25% FS, typical
Over Range Protection	2X Rated Pressure, Minimum
Burst Pressure	5X or 75 PSI (whichever is less)
Pressure Cycles	>100 Million

Environmental Data

Temperature

Operating	-40 to 80°C (-40 to 176°F)
Storage	-40 to 100°C (-40 to 212°F)

0-100% relative humidity, non-condensing

Thermal Limits

Compensated Range 0 to 55°C (32 to 132°F)

TC Zero	<±1.5% of FS
TC Span	<±1.5% of FS

Other

Shock	EN 60068-2-27
Vibration	EN 60068-2-6, 60068-2-64, and IEC 68-2-32
EMI/RFI Protection:	Yes
Rating:	IP-66, min

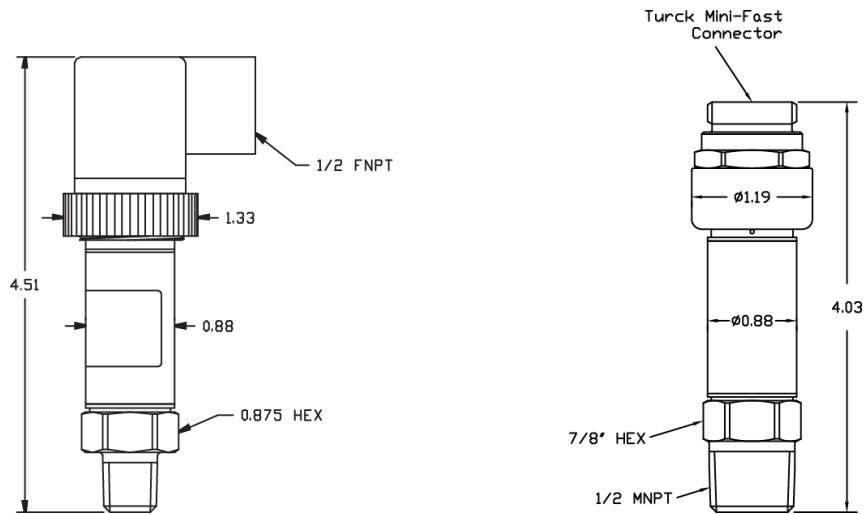
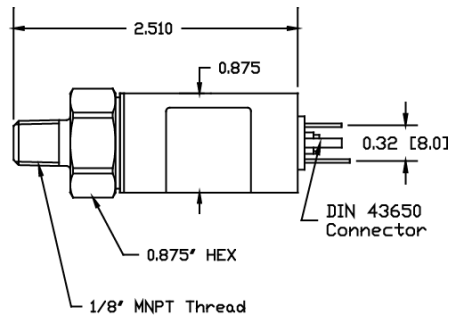
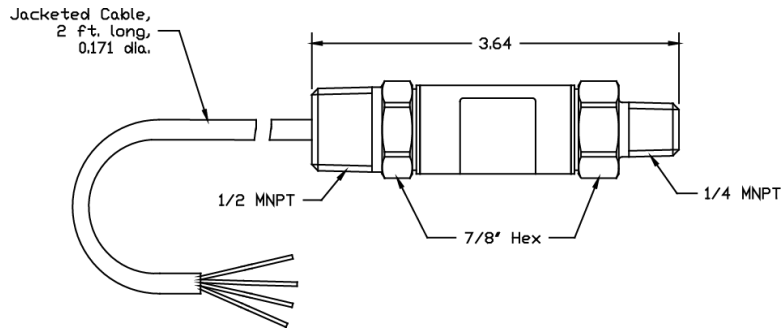
Electrical Data

Output	4-20mA	1-5VDC, 1-6VDC
Excitation	10-28VDC	10-28VDC
Output Impedance	>10k Ohms	<100 Ohms, Nominal
Current Consumption:	20mA, typical	5mA, typical
Bandwidth	(-3dB): DC to 250 Hz	(-3dB): DC to 1kHz
Output Noise	-	<2mV RMS
Zero Offset:	<±1% of FS	<±1% of FS
Span Tolerance:	<±2% of FS	<±1.5% of FS
Output Load:	0-800 Ohms@10-28VDC	10k Ohms, Min.
Reverse Polarity Protection	Yes	Yes

LOW PRESSURE

AST44LP Intrinsically Safe Pressure Transducer / Transmitter

Dimensions

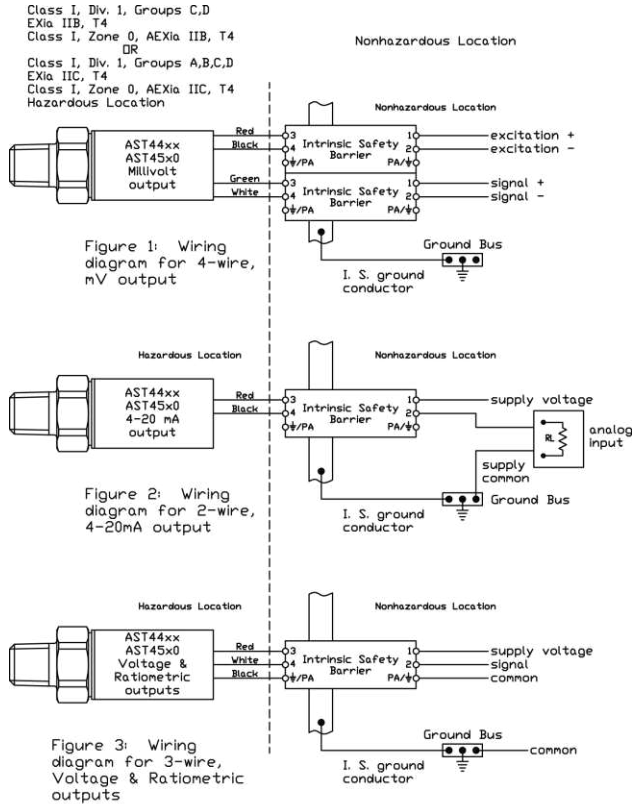
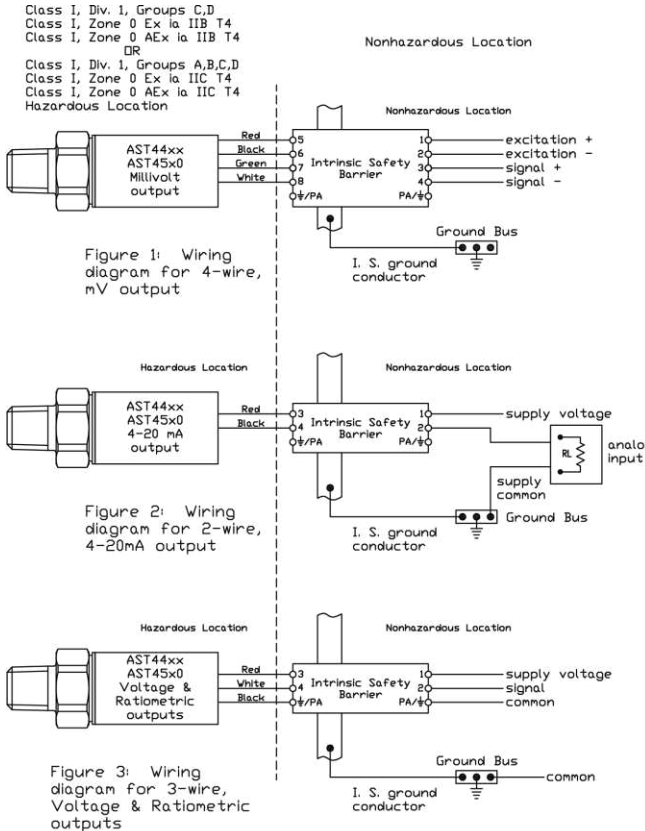


LOW PRESSURE

AST44LP Intrinsically Safe Pressure Transducer / Transmitter

UL Approved Barrier Installation / A01657

CSA Approved Barrier Installation / A08949



The transducers listed below are designed for installation in EITHER Class I, Division 1, Groups C,D; Class I, Zone 0 Group IIB OR Class I, Division 1, Groups A,B,C,D; Class I, Zone 0 Group IIC hazardous locations when connected to Associated Apparatus as described in note 1.

Entity Parameters

Models AST4400, AST44LP, AST4500, AST4510, AST4520

Class I, Div. 1, Groups C,D; Class I, Zone 0 Ex Ia IIB T4; Class I, Zone 0 AEx Ia IIB T4
Vmax = 28V

Model AST4401

Class I, Div. 1, Groups A,B,C,D; Class I, Zone 0 Ex Ia IIC T4; Class I, Zone 0 AEx Ia IIC T4
Vmax = 14.5V

4-20mA with integral connector	4-20mA with upto 1000ft of integral cable	All EXCEPT 4-20mA with integral connector	All EXCEPT 4-20mA with upto 150ft of integral cable
Pmax = 651 mW Imax = 93 mA Ci = 0.391 uF Li = 0 uH	Pmax = 651 mW Imax = 93 mA Ci = 0.434 uF Li = 0 uH	Pmax = 651 mW Imax = 93 mA Ci = 0.643 uF Li = 0 uH	Pmax = 651 mW Imax = 93 mA Ci = 0.649 uF Li = 0 uH

Isc or Io is the total current available from the Associated Apparatus under any condition.

1. The following conditions must be satisfied:

V_{oc} or $U_o \leq V_{max}$ C_a or $C_o \geq C_i + C_{cable}$
 I_{sc} or $I_o \leq I_{max}$ L_a or $L_o \geq L_i + L_{cable}$
 $P_o \leq P_i$ (if applicable)
 Total customer cable length for 4-20mA transmitters not to exceed 4000ft.
 Total customer cable length for all other transmitters not to exceed 150ft.
 Where the cable capacitance and inductance per foot are not known, the following values shall be used: $C_{cable} = 60pF/ft$, $L_{cable} = 0.2uH/ft$

2. Control Room apparatus shall not generate in excess of 250V (Umax).

3. Canadian installations should be in accordance with Canadian Electrical Code, Part I. U.S. installations should be in accordance with Article 504 in the National Electrical Code, ANSI/NFPA 70.

Entity Parameters

Models AST4400, AST44LP, AST4500, AST4510, AST4520, AST4530

Class I, Div. 1, Groups C,D; EXIa IIB, T4; Class I, Zone 0, AEXIa IIB, T4
Vmax = 28Vdc

Model AST4401

Class I, Div. 1, Groups A,B,C,D; EXIa IIC, T4; Class I, Zone 0, AEXIa IIC, T4
Vmax = 14.5Vdc

4-20mA with integral connector	4-20mA with upto 1000ft of integral cable	All EXCEPT 4-20mA with integral connector	All EXCEPT 4-20mA with upto 150ft of integral cable
Pmax = 625 mW Imax = 93 mA Ci = 0.391 uF Li = 0	Pmax = 625 mW Imax = 93 mA Ci = 0.434 uF Li = 155 uH	Pmax = 625 mW Imax = 93 mA Ci = 0.643 uF Li = 0	Pmax = 625 mW Imax = 93 mA Ci = 0.649 uF Li = 23.3 uH

1. For installation in accordance with Fig 2, barrier must be a CSA Certified, Single Channel grounded Shunt-Diode Zener Barrier or a Single Channel Isolating Barrier.

2. For installations in accordance with Figs. 1 and 3, one dual-channel or two single-channel barriers may be used, where in either case, both channels have been Certified for use together with combined entity parameters.

3. The following conditions must be satisfied:

V_{oc} or $U_o \leq V_{max}$ C_a or $C_o \geq C_i + C_{cable}$
 I_{sc} or $I_o \leq I_{max}$ L_a or $L_o \geq L_i + L_{cable}$
 $P_o \leq P_i$ (if applicable)

4. Maximum non-hazardous area voltage must not exceed 250 V.

5. Canadian installations should be in accordance with Canadian Electrical Code, Part I. U.S. installations should be in accordance with Article 504 in the National Electrical Code, ANSI/NFPA 70.

6. A grounding method is not provided by the manufacturer as part of the integral design of the Transducer. For units which are connected through a grounded shunt diode safety barrier, ensure that the transducer is mounted to a surface which is at the same potential as the barrier ground.

7. See user manual for installation conditions.

LOW PRESSURE

AST44LP Intrinsically Safe Pressure Transducer / Transmitter

Ordering Information

AST44LP	A	00005	P	4	E	1	000	-ss
Series Type								
Process Connection								
A= 1/4" NPT Male C= 1/4" BSPP Male	I= 1/4" NPT Female** P= 1/2" NPT Male							
Pressure Range								
Insert 5-digit pressure range code (example: 0-1 PSI = 00001) Ranges between 0-1 PSI and 0-15 PSI available.								
Pressure Unit								
B= Bar K= kg/cm2 P= PSI								
Outputs								
3= 1-5V 4= 4-20mA (2 wire loop powered) 6= 1-6V								
Electrical								
A= 2 ft. (0.6m) B= 4 ft. (1.2m) C= 6 ft. (1.8m) D= 10 ft. (3.0m) E= Mini DIN 43650C F= Packard Metripack 150 3-Pin I= DIN 43650A	L= Conduit, Cable 2 ft. (0.6 m) M= Conduit, Cable 4 ft. (1.2 m) N= Conduit, Cable 6 ft. (1.8 m) P= Conduit, Cable 10 ft. (3 m) R= 6- Pin Bendix Y= M12x1 4 = Mini-Fast (CSA Only)							
Wetted Material								
1= 316L 4= Hastelloy C276								
Options								
000= No Options 588= 0.5-2.5V non-ratiometric (3-5VDC)								
Approval								
Insert code from approvals chart below [Leave blank for UL ANSI/ISA 12.12.01 Class I Div 1 Intrinsically Safe Groups C, D (formerly UL913)]								
-SL	IEC 61508 - SIL2 (4-20mA only)							
-SS	CSA157 Class I Div 1 Grps C, D Intrinsically Safe, ANSI/ISA 12.27.01 Single Seal and ATEX/IECEX Exia IIC Class I, Zone 0, T4							

Note: CSA approved products require case/earth ground electrical connection. See wiring installation sheet for further details

联系方式



地址: 深圳市南山区创业路怡海广场东座 2408 邮编: 518000
电话: (+86) 0755 2641 9890 传真: (+86) 0755 2641 9680
电子邮箱: sales@bill-well.com