

PTX101

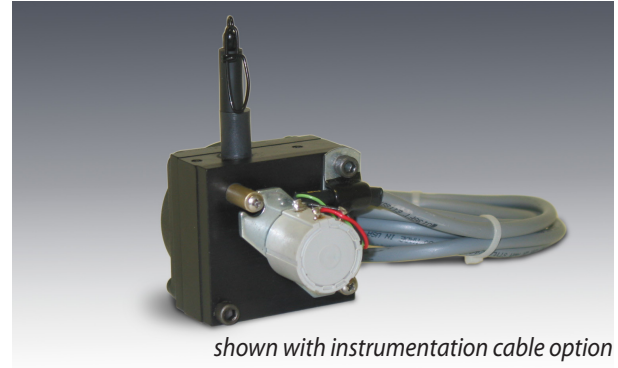
Instrument Grade • Voltage Divider

Absolute Linear Position to 100 inches (2540 mm)

Compact Design • OEM Applications

Anodized Aluminum Enclosure

IP50 / NEMA 1 • Automation & Testing Applications



GENERAL

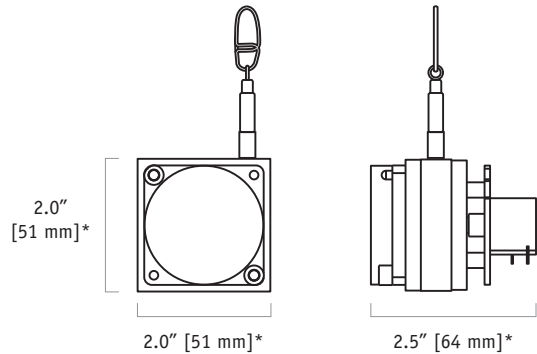
Full Stroke Range Options	0-2 to 0-100 inches
Output Signal Options	voltage divider (potentiometer)
Accuracy	see ordering information
Repeatability	± 0.02% full stroke
Resolution	essentially infinite
Measuring Cable	see ordering information
Enclosure Material	anodized aluminum
Sensor	plastic-hybrid precision potentiometer
Potentiometer Cycle Life	see ordering information
Maximum Retraction Acceleration	see ordering information
Weight	2 lbs. max.

ELECTRICAL

Input Resistance Options	500, 1K, 5K, 10K or bridge
Maximum Input Voltage	see ordering information
Power Rating	see ordering information
Output Signal Change Over Full Stroke Range	94% ±4% of input voltage

ENVIRONMENTAL

Enclosure	IP50, NEMA 1
Temperature Coefficient of Sensing Element	88 PPM/°F
Humidity	100% RH @ 90°F (32° C)
Operating Temperature	-40° to 200°F (-40° to 90°C)
Vibration	up to 10 g to 2000 Hz maximum

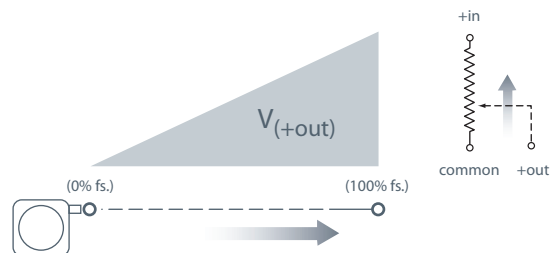


*note: 2–40" range shown for illustration, see outline drawing for other ranges.

The PTX101 is a low cost, compact and easy-to-use cable-extension transducer. It is available with full-scale measurement ranges from 2 to 100 inches. The PTX101 provides a voltage feedback signal that is proportional to the linear movement of a traveling stainless-steel extension cable.

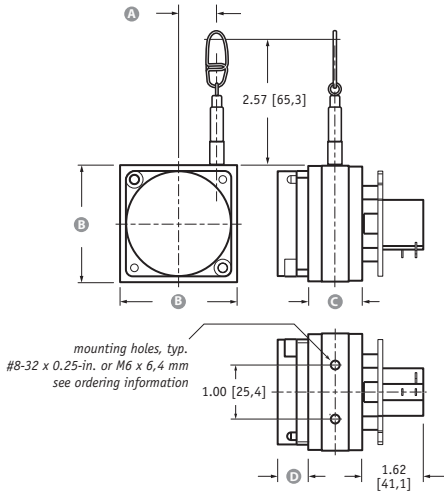
Simply mount the body of the transducer to a fixed surface and attach the extension cable to the moving object. The PTX101 is recommended for applications where space and money is limited.

Output Signal:



Outline Drawing:

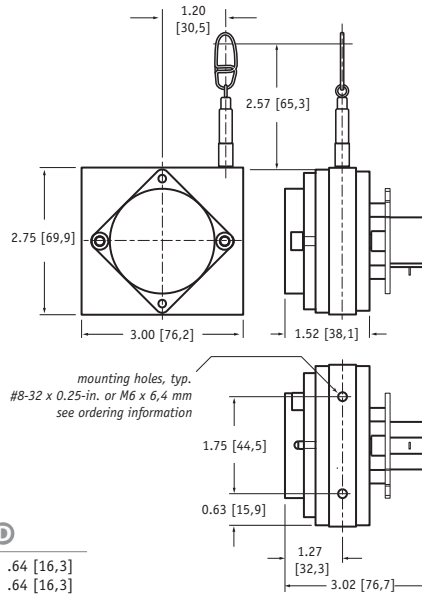
2 to 60-inch Ranges



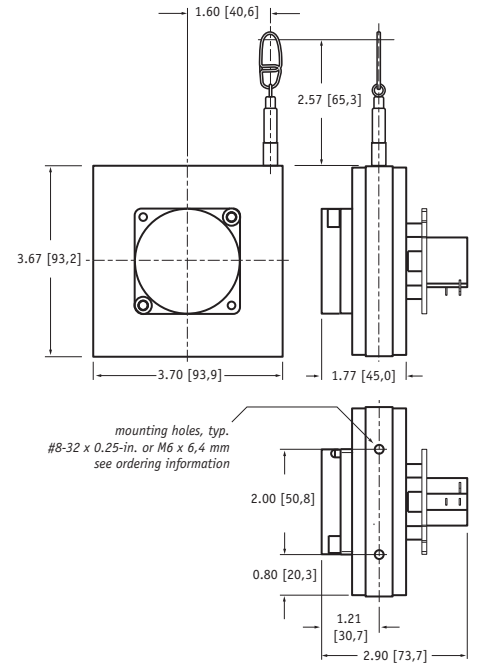
Range	A	B	C	D	
2", 10", 20"	.34 [8,6]	2.00 [50,8]	.50 [12,7]	.39 [9,9]	.64 [16,3]
5", 25", 50"	.83 [21,1]	2.00 [50,8]	.50 [12,7]	.39 [9,9]	.64 [16,3]
15", 30"	.56 [14,2]	2.00 [50,8]	.50 [12,7]	.39 [9,9]	.64 [16,3]
40"	.64 [16,2]	2.00 [50,8]	.50 [12,7]	.39 [9,9]	.64 [16,3]
60"	.97 [24,6]	2.50 [63,5]	.75 [19,1]	.39 [9,9]	.64 [16,3]

std. tension high tension

75-inch Range



100-inch Range



All Dimensions are in INCHES [MM] tolerances are ±0.03 in. [0,8 mm]

Ordering Information:

Model Number:

PTX101 - - - - - - -

order code: R A B C D E F G

Sample Model Number:

PTX101 - 0025 - 111 - 1110

- R range: 25 inches standard - 5 oz.
- A measuring cable tension: 8-32 x .25 in. threaded
- C mounting holes: 500 ohms
- D sensing circuit: solder terminals
- E electrical connection:

Full Stroke Range:

R order code:	0002	0005	0010	0015	0020	0025	0030	0040	0050	0060	0075	0100
full stroke range, min:	2 in.	5 in.	10 in.	15 in.	20 in.	25 in.	30 in.	40 in.	50 in.	60 in.	75 in.	100 in.
accuracy (% of f.s.):	0.25%	0.25%	0.15%	0.15%	0.10%	0.15%	0.10%	0.10%	0.10%	0.10%	0.10%	0.10%
potentiometer cycle life*:	2.5 x 10 ⁶	2.5 x 10 ⁶	5 x 10 ⁵	5 x 10 ⁵	5 x 10 ⁵	5 x 10 ⁵	5 x 10 ⁵	2.5 x 10 ⁵	2.5 x 10 ⁵	2.5 x 10 ⁵	2.5 x 10 ⁵	2.5 x 10 ⁵

*-1 cycle is defined as the travel of the measuring cable from full retraction to full extension and back to full retraction

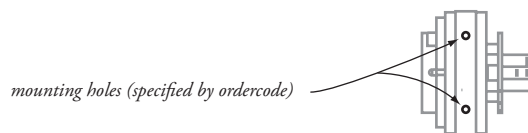
Measuring Cable Tension:

A order code:	1		H		2*		3*	
	standard tension		high tension		*note - outline dimensions for these options are not controlled on this datasheet!			
	tension, ±20%	max acceleration	tension, ±40%	max acceleration				
2, 10, 20 inch range:	12 oz.	• 11 g	65 oz.	• 53 g	72 oz.	144 oz.		
5, 25, 50 inch range:	5 oz.	• 2 g	26 oz.	• 21 g	30 oz.	60 oz.		
15, 30 inch range:	8 oz.	• 3 g	43 oz.	• 23 g	48 oz.	96 oz.		
40 inch range:	6 oz.	• 4 g	33 oz.	• 16 g	36 oz.	72 oz.		
60 inch range:	13 oz.	• 4 g	22 oz.	• 8 g	26 oz.	52 oz.		
75, 80 inch range:	10 oz.	• 3 g	31 oz.	• 12 g	20 oz.	40 oz.		
100 inch range:	13 oz.	• 5 g	52 oz.	• 20 g	26 oz.	52 oz.		
measuring cable:	.019-in. dia. nylon-coated stainless steel				.024-in. dia. stainless steel			

Ordering Information (cont.):

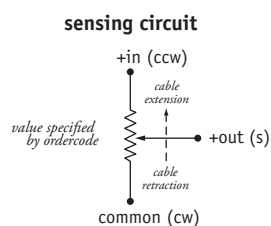
Mounting Holes:

④ order code:	1	2
	#8-32 x 0.25-in. threaded holes	M6 x 6,4 mm threaded holes



Sensing Circuit:

① order code:	1	2	3	4
	500 ohm*	1000 ohm*	5000 ohm*	10,000 ohm*



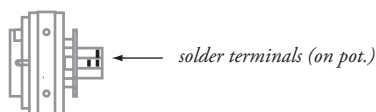
max. input voltage and power rating

	2-inch, 5-inch range	10-inch to 100-inch range
500-ohms:	20 V AC/DC (1 W)	30 V AC/DC (2 W)
1K to 10K-ohms:	30 V AC/DC (1 W)	30 V AC/DC (2 W)

*tolerance = ±10%

Electrical Connection:

⑤ order code:	0	1
	solder terminals	10-ft. instrumentation cable shielded, 24 AWG



terminal	signal
CCW	+in
CW	common
S	+out



color code	terminal	signal
RED	CCW	+ in
BLACK	CW	common
GREEN	S	+ out

联系方式



深圳市亿为测控电子有限公司
Shenzhen Bill-Well Measurement & Control Electronics Co., Ltd.

广东省深圳市南山区创业路怡海广场东座2407 邮编：518000

电话：+86 755 2641 9890 传真：+86 755 2641 9680

电子邮箱：sales@bill-well.com