

# A250

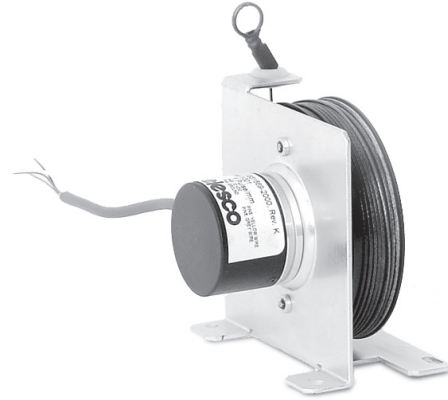
## OEM Series • Incremental Output

Ranges: 0–2000 to 0–2500 mm

Compact, Open Frame Design

OEM Applications • Customer Specific Design

100-piece Minimum Order



The A250 Cable-Extension Transducer is an optical encoder-based compact, flexible and highly accurate position feedback transducer.

The standard A250 can be simply modified to meet specific OEM requirements. Just about any encoder type can be used for your specific requirement. Designs are available for new applications or as drop-in replacements of current assemblies. You can specify custom mounting, custom electrical connections and even customer-specified life testing. Quantities are available as small as 100 units.

### GENERAL

|                          |  |
|--------------------------|--|
| Full Stroke Ranges       | 0-2000 & 0-2500 mm                         |
| Spool Circumference      | 250 mm                                     |
| Output Signal            | incremental (quadrature) encoder           |
| Accuracy                 | +0.04% of F.S.                             |
| Repeatability            | +0.02% of F.S.                             |
| Resolution               | 0.4 to 10 pulses per mm*                   |
| Measuring Cable          | 0.034-in dia. nylon-coated stainless steel |
| Optional Measuring Cable | 0.040-in. dia. thermoplastic               |
| Sensor                   | incremental optical encoder                |
| Frame Material           | zinc-plated steel                          |
| Weight, max.             | 1 lb.                                      |

### ELECTRICAL\*

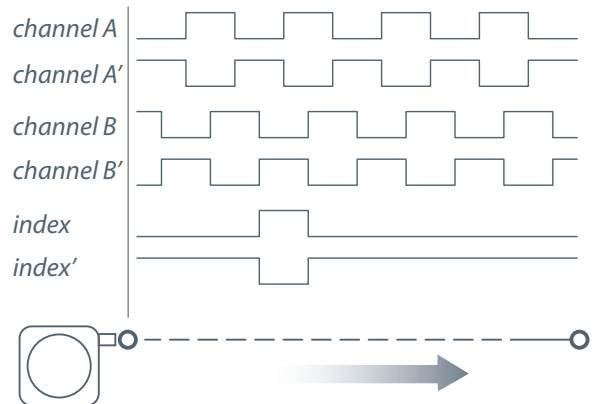
|                               |   |
|-------------------------------|---|
| Encoder Output Driver Options | TTL-CMOS, open collector, line-driver         |
| Output Channels               | A, B and index (with and without compliments) |
| Input Voltage                 | 4.5 to 26.4 VDC                               |
| Current Consumption           | 80 mA max.                                    |
| Sink Current                  | 20 mA max.                                    |

### ENVIRONMENTAL\*

|                       |                                |
|-----------------------|--------------------------------|
| Operating Temperature | -10°C to +70°C                 |
| Storage Temperature   | -30°C to +80°C                 |
| Humidity              | RH 85%, no condensation        |
| Vibration             | 10 ~ 55 Hz / 1.5 mm 2 hr.      |
| Shock                 | 30 g 11ms (X,Y,Z each 3 times) |

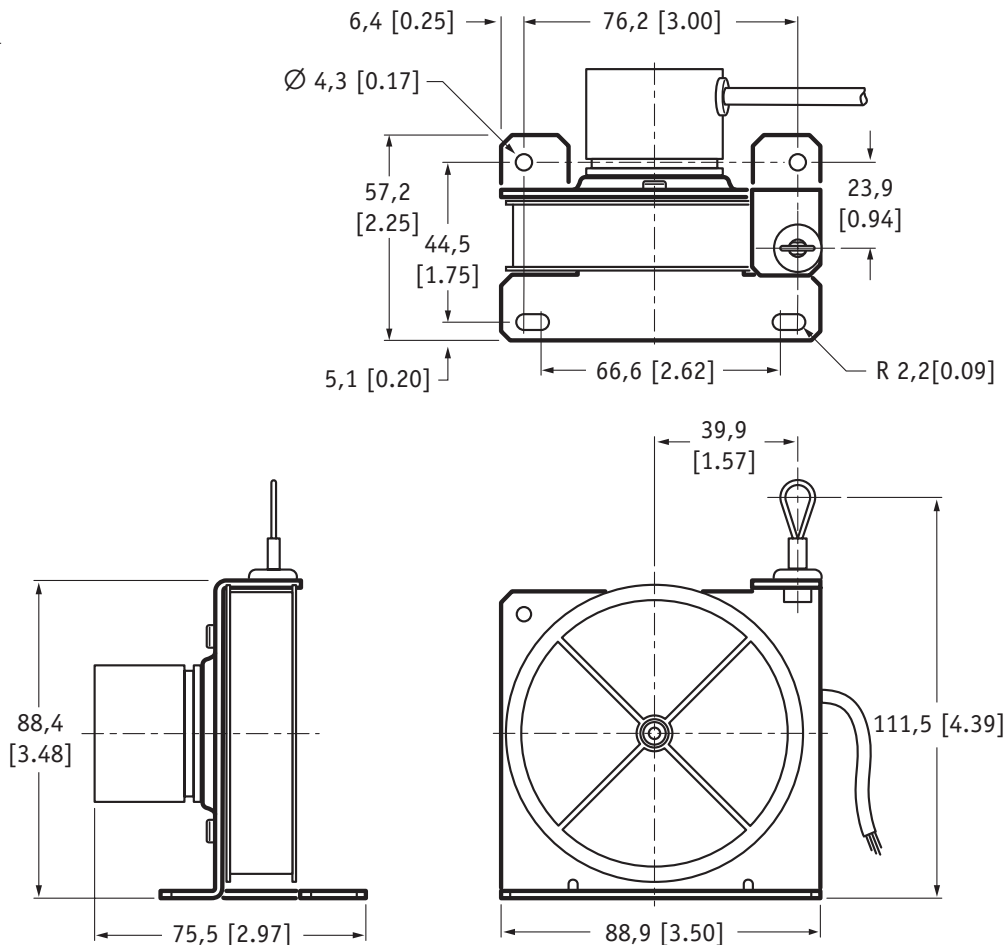
\*specifications may vary with configuration, please consult factory

### Output Signal Options



-- see ordering information for available channels

Outline Drawing:

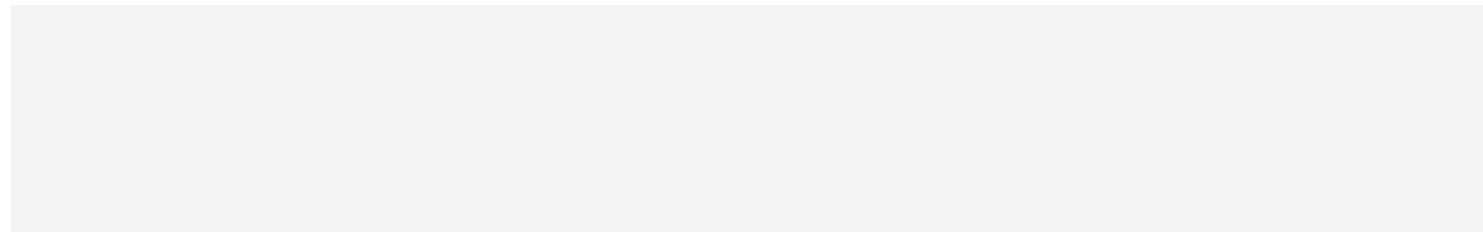


ALL DIMENSIONS ARE IN MM [INCHES]

Ordering Information:

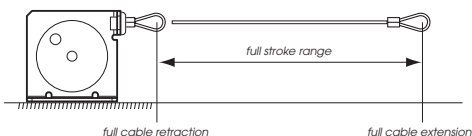
**Application:**

<please provide a brief description of application. include exact stroke range, velocity of stroke and estimated number of cycles per year.>



**Full Stroke Range:**

<select available range or specify complete requirements>



- 2000 mm
- 2500 mm
- other:

**Measuring Cable:**



- 0.034" dia. nylon-coated stainless steel
- 0.040" dia. thermoplastic

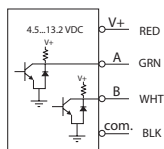
Ordering Information (cont.):

### Measuring Cable Exit

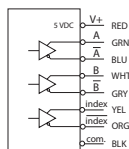


### Encoder

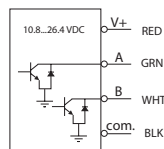
TTL - CMOS compatible



line driver



open collector

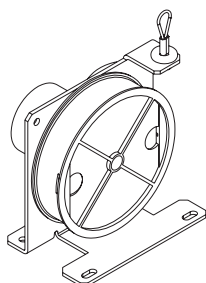


### Resolution

- 0.4 pulses per mm
- 8 pulses per mm
- 4 pulses per mm
- 10 pulses per mm

### Enclosure

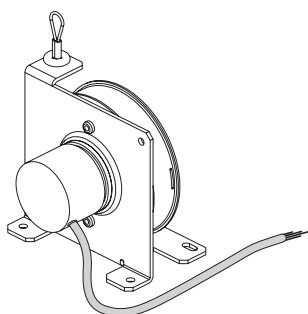
<select no cover or specify custom enclosure requirements>



no cover

custom enclosure:

### Electrical Connection



without connector

with connector

- cable length:
- connector manufacturer:  
manufacturer's part no.:

### 联系方式



深圳市亿为测控电子有限公司  
Shenzhen Bill-Well Measurement & Control Electronics Co., Ltd.

广东省深圳市南山区创业路怡海广场东座2407 邮编：518000  
电话：+86 755 2641 9890 传真：+86 755 2641 9680  
电子邮箱：sales@bill-well.com