



- Proven ultrasonic technology
- Effective in virtually any liquid
- Standard 3/4" NPT mounting
- Able to be installed vertically or horizontally
- Miniaturized, encapsulated electronics use a smaller, more compact enclosure than comparable systems
- Easily field assembled for single or multipoint operation

DESCRIPTION

The Pointsense Model LL-394 Sludge Level Switch is the ideal solution to a host of liquid level sensing applications: municipal sewage sludge, industrial waste supply, water softening sludge, process slurry, and clarifier and settling tanks in waste water treatment plants. It uses proven ultrasonic technology with a 316 LSS sensor fabricated completely which is able to operate in virtually any liquid. A sensitivity adjustment allows the monitoring of percentage solids in the contents of the liquid. Its small size, standard 3/4" NPT mounting fitting, and ability to be installed vertically or horizontally, make it the perfect choice for new or existing applications.

FEATURES

- 500:1 wet to dry ratio
- 316 LSS machine body sensor
- Field adjustable sensitivity control

APPLICATIONS

- Municipal sewage sludge
- Industrial waste supply
- Water softening sludge
- Process slurry
- Clarifier and settling tanks

PERFORMANCE SPECIFICATIONS

Parameter	Typical Value
Response Time	0.5 seconds
Input Power	1120 VAC \pm 10%, 50/60 Hz (standard), 230 VAC \pm 10%, 50/60 Hz (optional), 24 VDC.
Output	10 A DPDT relay (standard), Two Wire 4 ± 1 mA-dry, 20 ± 1 mA-wet
Housing	NEMA 4 weatherproof wall mount

Parameter	Typical Value
Sensor Material	316 LSS wetted parts (standard)
Operating Pressure	Up to 500 PSIG (3448Kpa)
Temperature	Sensor: -40 to 250 °F (-40 to 121 °C) Electronics: -20 to 160 °F (-29 to 71 °C)

LL-394 Series

MECHANICAL DIMENSIONS in inches [mm]

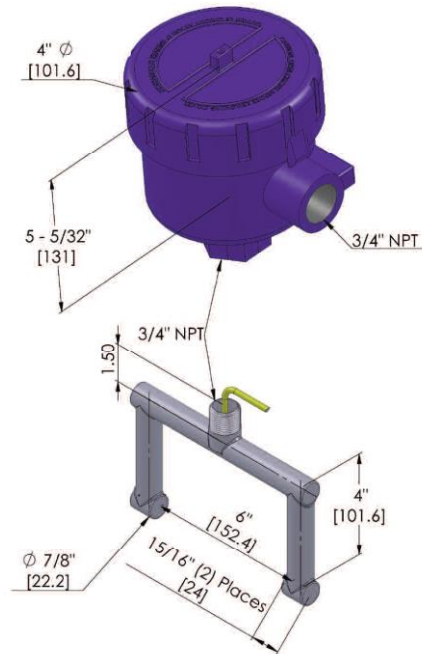


Figure 1: LL-394 series elements

APPLICATION SCHEMATICS

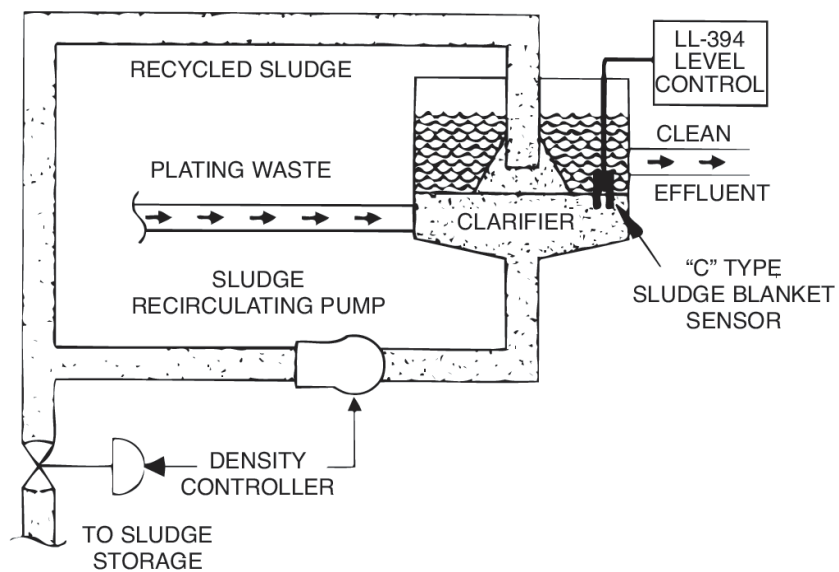
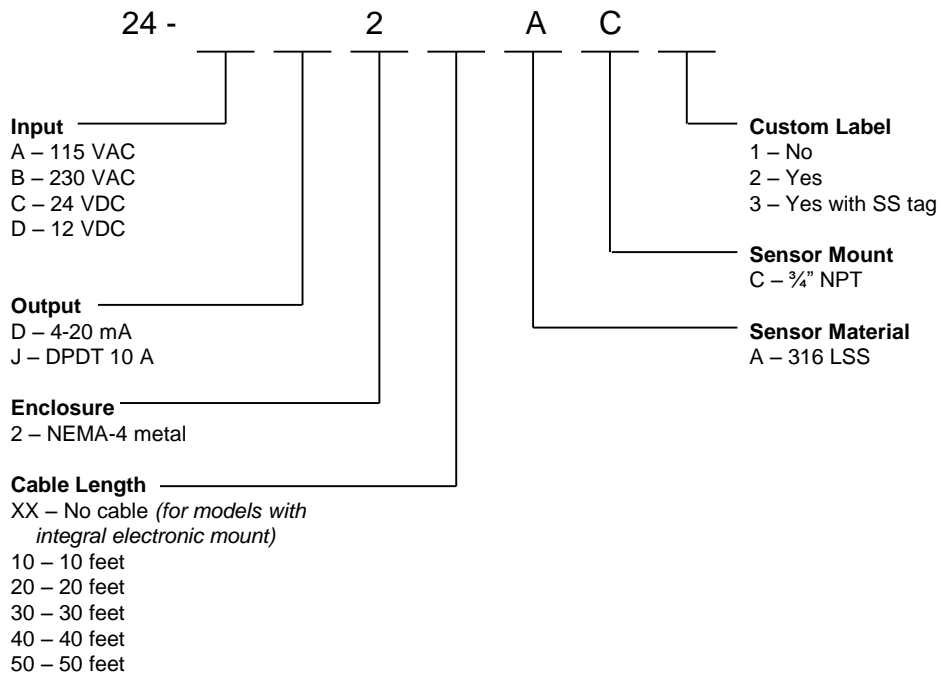


Figure 2: Schematic of LL-394 used in a wastewater sludge blanket control application

LL-394 Series

ORDERING INFORMATION



联系方式



深圳市亿为测控电子有限公司
Shenzhen Bill-Well Measurement & Control Electronics Co., Ltd.

广东省深圳市南山区创业路怡海广场东座2407 邮编：518000

电话：+86 755 2641 9890 传真：+86 755 2641 9680

电子邮箱：sales@bill-well.com