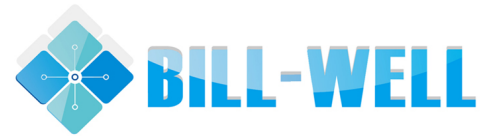


CD1095 Dynamic Rotary Torque Sensor



- Keyed Shaft couplings
- Range from ± 5 to $\pm 2,500$ Nm (± 4 to 2,000 lbf.ft)
- Stainless Steel
- Cable Gland or Connector Output
- Built In Amplifier per Request

DESCRIPTION

The **CD1095** has been designed to measure in-line torque on rotating shafts. Its sensing element is based on thin layer strain gauges in a Wheatstone bridge configuration providing excellent temperature stability. Optionally the torque sensor can receive an on-board amplifier for high-level output. Intermediate ranges are available at no extra cost. Consult Measurement-Specialties' Engineering Department if the standard options do not meet your needs or should your application require a more comprehensive measurement system.

With many years of experience as a designer and manufacturer of sensors, Measurement Specialties, Inc. often works with customers to design or customize sensors for specific uses and testing environments.

To meet your needs we also offer complete turnkey systems. The matched components (sensor, power, amplifier and digital display) are formatted, calibrated and ready for immediate use.

FEATURES

- For Dynamic Applications
- Keyed Shaft Mechanical Connection
- High Level Output Model with Integrated Amplifier

APPLICATIONS

- Dynamic applications
- Process control equipment
- Test and Measurement
- Robotics and effectors
- Laboratory and Research

STANDARD RANGES

F.S range in Nm	5 - 10 - 20	50 - 75 - 100	150 - 200 - 300	500 - 750	1k - 1.75k - 2,5k
F.S range in lbf.ft	4 - 8 - 16	40 - 60 - 80	120 - 160 - 240	400 - 600	800 - 1.4k - 2k
Stiffness in Nm/rad	1.4×10^2 to 9×10^2	9×10^2 to 7.5×10^3	7.5×10^3 to 3×10^4	3×10^4 to 1×10^5	1×10^5 to 3.5×10^5
Stiffness in lbf.ft/rad	0.4×10^2 to 0.6×10^2	0.6×10^2 to 5.1×10^2	5.1×10^2 to 2.1×10^3	2.1×10^3 to 6.9×10^3	6.9×10^3 to 2.4×10^4
Rotation in rpm	3000	3000	2200	1750	1250

CD1095 Dynamic Rotary Torque Sensor

PERFORMANCE SPECIFICATIONS

All values are typical at temperature 20±1° C

Parameters	
Operating Temperature Range (OTR)	-20 to 80° C (-4 to 176° F)
Compensated Temperature Range (CTR)	0 to 60° C (32 to 140° F)
Zero Shift in CTR	<0.5% F.S./ 50° C [/100° F]
Sensitivity Shift in CTR	<1% of reading / 50° C [/100° F]
Range (F.S.)	±5 Nm to ±2,5 kNm [±4 lbf.ft to ±2 klbf.ft]
Velocity of Rotation	Up to 3000 RPM ; Bidirectional operation
Over-Range	
Save Overload	1.5 x F.S.
Ultimate Load	3 x F.S.
Accuracy	
Combined Non-Linearity & Hysteresis	<±0.25%F.S

Electrical Characteristics

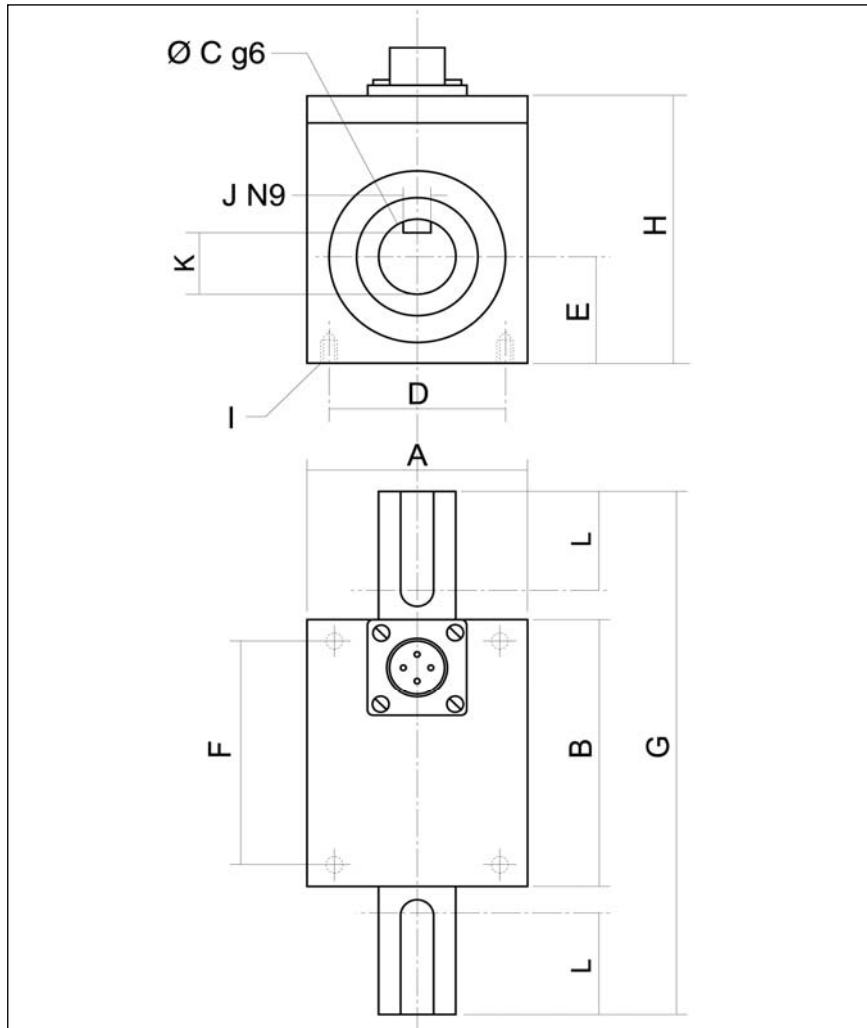
Model	CD1095	CD1095-A1	CD1095-A2
Supply Voltage	10Vdc	10 – 30Vdc	±15Vdc (±12 to ±18Vdc)
F.S. Output ⁴	±2mV/V	±2V ±5%	±5V ±5%
Zero Offset ⁴	<±5% F.S.	2.5V ±5% F.S.	0V ±5% F.S.
Input Impedance/Consumption	350 to 700Ω	<50mA	<50mA
Output Impedance	350 to 700Ω	1 kΩ ⁵	1 kΩ ⁵
Insulation under 50Vdc	≥100MΩ	≥100MΩ	≥100MΩ

Notes

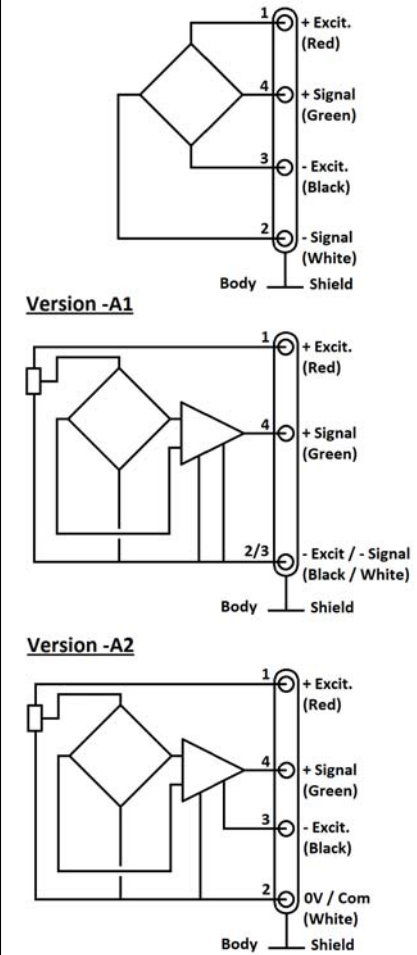
1. Electrical Termination: Connector output including mate
2. Material: Body in stainless steel ; aluminum alloy housing
3. Connection : Keyed shaft standard, other connection types on request (smooth shaft, cotter pin, etc)
4. Other signal output on request
5. Output impedance < 100Ω on request
6. CE conformance according to EN 61010-1, EN 50081-1, EN 50082-1

CD1095 Dynamic Rotary Torque Sensor

DIMENSIONS & WIRING SCHEMATIC (IN METRIC AND IMPERIAL)



Wiring Schematic



Dimensions in mm [inch]

Range in Nm [lbf.ft]	5 - 10 - 20 [4 - 8 - 16]		50 - 75 - 100 [40 - 60 - 80]		150 - 200 - 300 [120 - 160 - 240]		500 - 750 [400 - 600]		1k - 1,75k - 2,5k [800 - 1,4k - 2k]	
A	40	[1.57]	40	[1.57]	50	[1.97]	60	[2.36]	80	[3.15]
B	50	[1.97]	50	[1.97]	55	[2.17]	60	[2.36]	75	[2.95]
C	14	[0.55]	19	[0.75]	28	[1.10]	39	[1.54]	54	[2.13]
D	32	[1.26]	32	[1.26]	40	[1.57]	50	[1.97]	70	[2.76]
E	20	[0.79]	20	[0.79]	25	[0.98]	30	[1.18]	40	[1.57]
F	42	[1.65]	42	[1.65]	45	[1.77]	50	[1.97]	65	[2.56]
G	90	[3.54]	110	[4.33]	150	[5.91]	180	[7.09]	260	[10.24]
H	50	[1.97]	50	[1.97]	60	[2.36]	70	[2.76]	90	[3.54]
I	4 x M3		4 x M3		4 x M3		4 x M4		4 x M4	
J	5	[0.20]	6	[0.24]	8	[0.31]	12	[0.47]	16	[0.63]
K	11	[0.43]	15.5	[0.61]	24	[0.94]	34	[1.34]	48	[1.89]
L	15	[0.59]	25	[0.98]	40	[1.57]	50	[1.97]	80	[3.15]

CD1095 Dynamic Rotary Torque Sensor

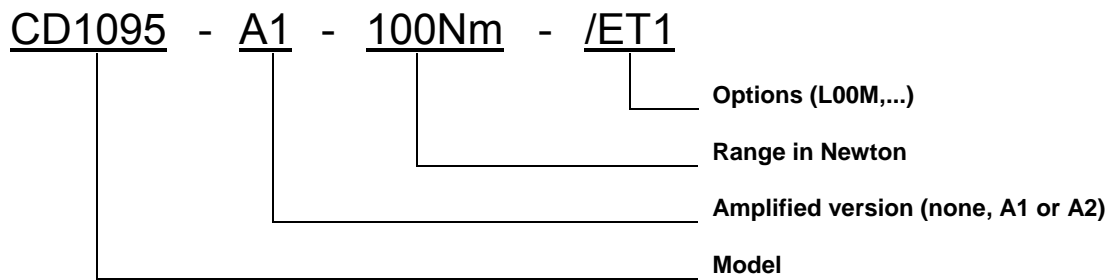
OPTIONS

A1 : Amplified Tension output with unipolar power supply

A2 : Amplified Tension output with bipolar power supply

PE : Cable Gland Termination with 2 m [6.6 ft] cable

ORDERING INFO



联系方式



深圳市亿为测控电子有限公司
Shenzhen Bill-Well Measurement & Control Electronics Co., Ltd.

广东省深圳市南山区创业路怡海广场东座2407 邮编：518000

电话：+86 755 2641 9890 传真：+86 755 2641 9680

电子邮箱：sales@bill-well.com