

# 4610 Precision Thermometer



- System accuracy  $\pm 0.05^{\circ}\text{C}$  from  $20^{\circ}\text{C}$  to  $50^{\circ}\text{C}$  with 4610-series probes
- $^{\circ}\text{C}$  or  $^{\circ}\text{F}$  readout
- RS-232 communication capability

## DESCRIPTION

High precision thermometer for use with 4610-series probes.

## FEATURES

- RS-232 communication capability
- $^{\circ}\text{C}$  or  $^{\circ}\text{F}$  readout
- Interchangeable probes

## APPLICATIONS

- Laboratory measurements
- Precision measurements within the biological temperature range

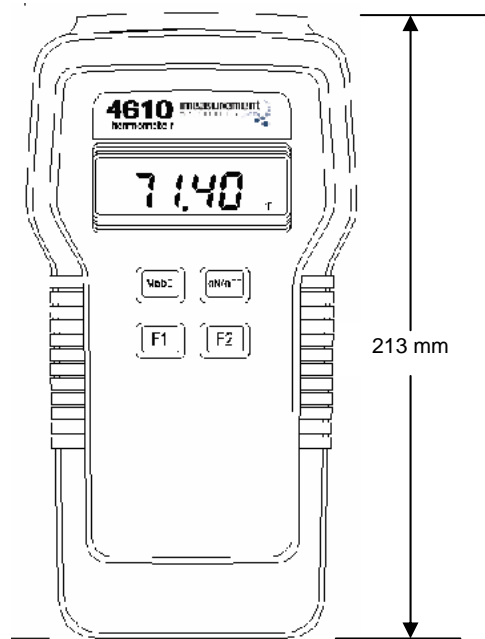
## PERFORMANCE SPECS

Parameter		Units	Value
System Accuracy with 4611 or 4612 probe	$20^{\circ}$ to $50^{\circ}\text{C}$	$\pm^{\circ}\text{C}$	0.05
	@ $0^{\circ}\text{C}$	$\pm^{\circ}\text{C}$	0.10
	@ $+70^{\circ}\text{C}$	$\pm^{\circ}\text{C}$	0.10
Resolution:	$-40^{\circ}$ to $+100^{\circ}\text{C}$	$^{\circ}\text{C}$	0.01
	$+102^{\circ}$ to $+150^{\circ}\text{C}$	$^{\circ}\text{C}$	0.02
		$^{\circ}\text{C}$	0.0002 to .001
Repeatability ( $-20^{\circ}$ to $+100^{\circ}\text{C}$ ) typical for 1 week at constant ambient temperature		$^{\circ}\text{C}$	0.0002 to .001
Reading Rate per Second			2
Battery Life		Hours	20
Operating Conditions		$^{\circ}\text{C}$	10 to 40
		% RH	85

## BLOCK DIAGRAM



# 4610 Precision Thermometer



## ORDERING INFORMATION

Part Number	Description	Probes	MOQ
046102	4610 Precision Thermometer System	4611 or 4612	3

\* For quantities less than Minimum Order Quantity – contact distribution

## 联系方式



深圳市亿为测控电子有限公司  
Shenzhen Bill-Well Measurement & Control Electronics Co., Ltd.

广东省深圳市南山区创业路怡海广场东座2407 邮编：518000

电话：+86 755 2641 9890 传真：+86 755 2641 9680

电子邮箱：sales@bill-well.com