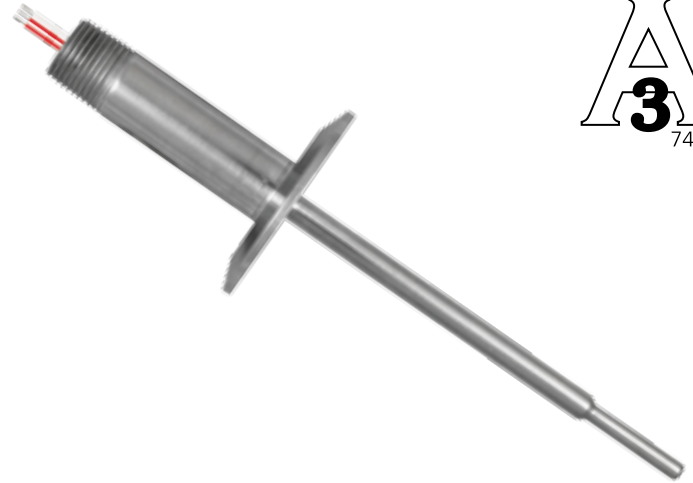


# Sanitary RTD Probe

3A Surface Finish  
Quick Time Response  
Single Element

Custom Designs Available with:

- Connection Heads
- Transmitters
- HTST
- Special Cable or Leadwires



The **Sanitary RTD Probe** is designed with polished 316 stainless steel case that is polished to a specific surface finish to reduce the areas that could shelter bacteria. The probes are designed to withstand cleaning processes typical in a sanitary environment.

## FEATURES

- Sheath Styles:
  - » 316 Stainless Steel
- Elements, Single:
  - » Platinum
- Leadwire/Cable Options

## APPLICATIONS

- Process
- Pharmaceutical
- Food/Beverage
- Flow

## performance specifications

### Repeatability:

Less than  $\pm .06\%$  change in ice point resistance after 10 consecutive cycles between ice point and 250°C

### Long Term Stability:

Less than  $\pm .2\%$  ice point resistance shift after 1,000 hours at 250°C

### Self Heating:

10 mW/C in water moving 3 feet/sec

### Insulation Resistance:

1,000 megohms @ 500 V, leads to case

### Hysteresis:

$\pm .15\%$  of span temperature

### Pressure Rating:

Dependant on configuration, consult factory

### Surface Finish:

16-32  $\mu$

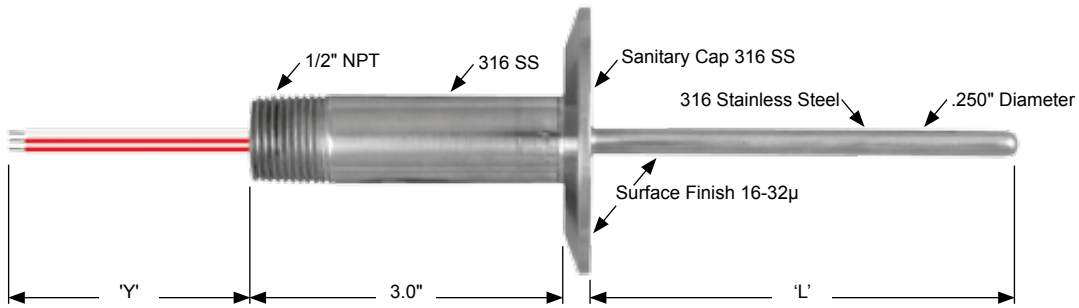
### Sanitary Caps:

See ordering information

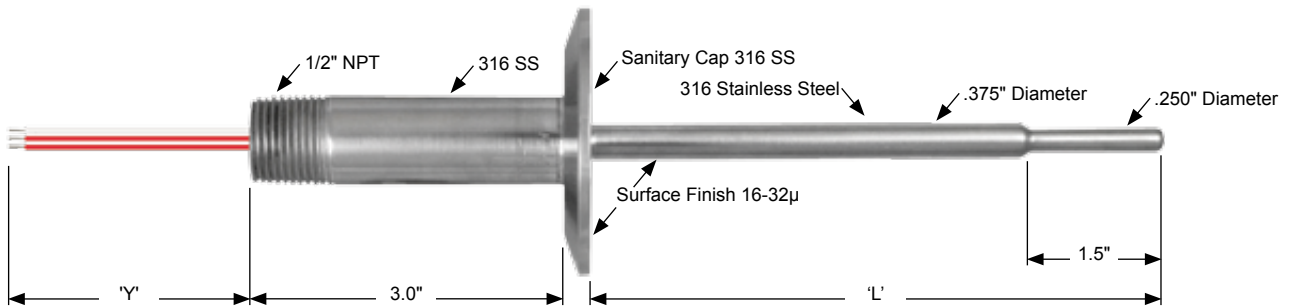
# Sanitary RTD Probe

## dimensions

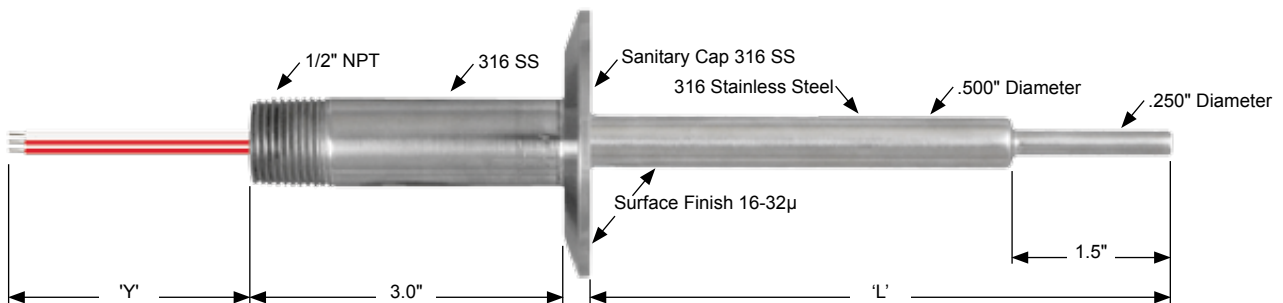
Sanitary RTD Probe, 1/4" Sheath – Model 150



Sanitary RTD Probe, 3/8" to 1/4" Sheath – Model 151



Sanitary RTD Probe, 1/2" to 1/4" Sheath – Model 152, 153



# Sanitary RTD Probe

## ordering info



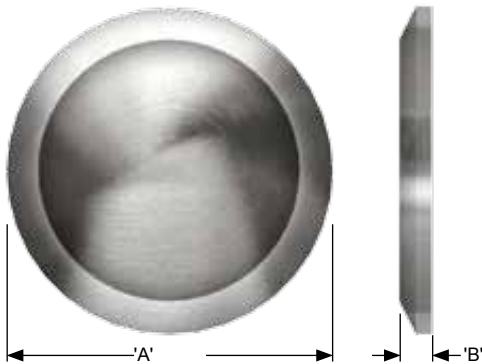
Sanitary RTD Probe			
Model	Style	Temperature Range	
150M	Sanitary RTD Probe, 1/4" Sheath	Moderate: -50 to 250°C (-58 to 482°F)	
151M	Sanitary RTD Probe, 3/8" to 1/4" Sheath	Moderate: -50 to 250°C (-58 to 482°F)	
152M	Sanitary RTD Probe, HTST, 1/2" to 1/4" Sheath*	Moderate: -50 to 250°C (-58 to 482°F)	
153M	Sanitary RTD Probe, 1/2" to 1/4" Sheath	Moderate: -50 to 250°C (-58 to 482°F)	
Model	Element	Accuracy	Temperature Coefficient
P2A	Platinum	100 Ohm ±.06% at 0°C	.00385
P2B	Platinum	100 Ohm ±.12% at 0°C	.00385
P2C	Platinum	100 Ohm ±.5% at 0°C	.00385
Model	Leadwires, Element Configuration	Color Code	
3S	Three Wire, Single	Red/Red/White	
4S	Four Wire, Single	Red/Red/White/White	
3D	Three Wire, Dual	Red/Red/White // Black/Green/Green	
Model	Cap Style		
A	16 AMP		
B	16 A		
C	16 AI		
D	16 APV		
Model	Cap (Tube) Size		
10	1.0"		
15	1.5"		
20	2.0"		
25	2.5"		
30	3.0"		
Model	Connection Head (Terminal Block Included)		
N	No Connection Head		
A	Stainless Steel		
B	Aluminum		
C	Polypropylene		
D	Cast Iron		
G	Small Stainless Steel		
Model	'L' Immersion Length		
----	Define 'L' Length in Inches (3.5 = 3.5") Note: Minimum 2.0" / Maximum 36.0"		
Model	'Y' Leadwire/Cable Options		
N	No Options, Stranded TFE Leadwires (36.0" Standard)		
W	Leadwire Options		
Model	Additional Options (Leave Code Blank if Not Required)		
T	Transmitter Options		

\* Built to Meet Grade A Milk Pasteurization Ordinance (3.5 Second Time Response Maximum)

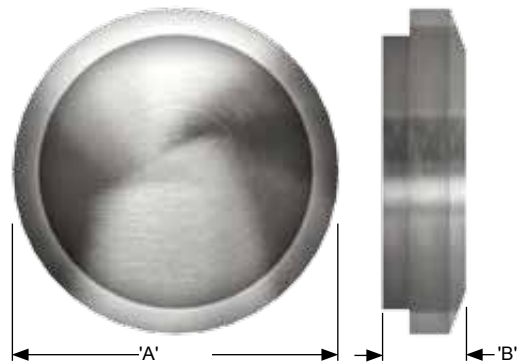
# Sanitary RTD Probe

## dimensions

Sanitary Cap — 16 AMP



Sanitary Cap — 16 A



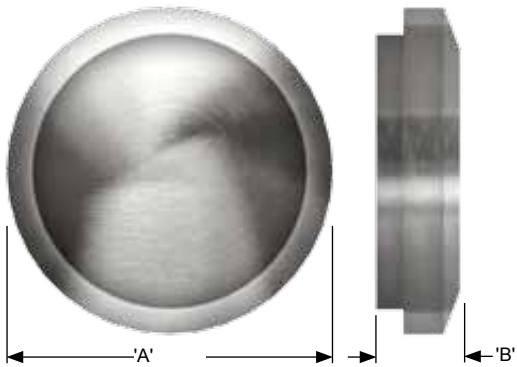
16 AMP Sanitary Cap

Cap (Tube) Size	'A'	'B'
1/2	1.00"	0.25"
1 or 1 1/2	1.98"	0.25"
2	2.51"	0.25"
2 1/2	3.03"	0.25"
3	3.57"	0.25"

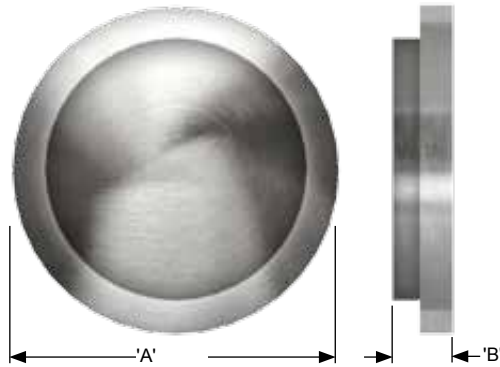
16 A Sanitary Cap

Cap (Tube) Size	'A'	'B'
1	1.31"	0.46"
1.5	1.84"	0.56"
2	2.37"	0.62"
2.5	2.90"	0.66"
3	3.43"	0.71"

Sanitary Cap — 16 AI



Sanitary Cap — 16 APV



16 AI Sanitary Cap

Cap (Tube) Size	'A'	'B'
1 or 1 1/2	2.00"	0.50"
2	2.65"	0.56"
2 1/2	3.12"	0.56"
3	3.87"	0.75"

16 APV Sanitary Cap

Cap (Tube) Size	'A'	'B'
1/2	1.38"	0.29"
1 or 1 1/2	1.88"	0.42"
2	2.38"	0.46"
2 1/2	2.88"	0.47"
3	3.38"	0.50"

## 联系方式



深圳市亿为测控电子有限公司  
Shenzhen Bill-Well Measurement & Control Electronics Co., Ltd.

广东省深圳市南山区创业路怡海广场东座2407 邮编：518000

电话：+86 755 2641 9890 传真：+86 755 2641 9680

电子邮箱：sales@bill-well.com