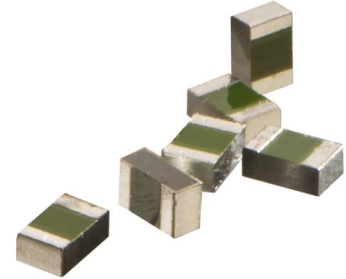


SMD3 (0603) NTC Thermistors



0.04K to 200K Ohms
Resistance @ +25°C
Tape and Reel packaging
for automatic placement
Available in $\pm 1\%$, $\pm 3\%$, $\pm 5\%$ or
 $\pm 10\%$ tolerance @ +25°C
Cost effective

✓RoHS



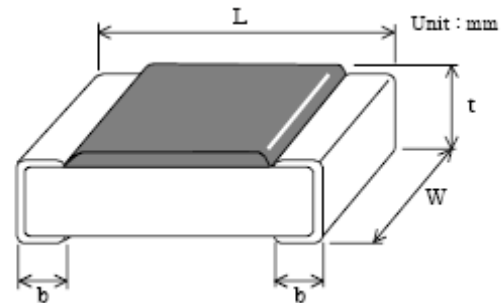
Dimensions

SMD3 SERIES THERMISTORS

Standard Surface Mount NTC
Thermistor available in the **0603**
package.

FEATURES

- 0.04 to 200K Ohms Resistance @ +25°C
- Tape & Reel packaging for automatic placement
- Low cost
- Temperature range -40°C to +125°C
- RoHS Compliant



	L	W	t	b
SMD3	1.60±0.2	0.8±0.2	1.0 mm Max.	0.3 ±0.2

APPLICATIONS

- Temperature sensing, control and detection
- Temperature compensation of transistors, IC's and crystal oscillators in mobile
- Consumer electronics
- Automotive electronics
- LCD controls

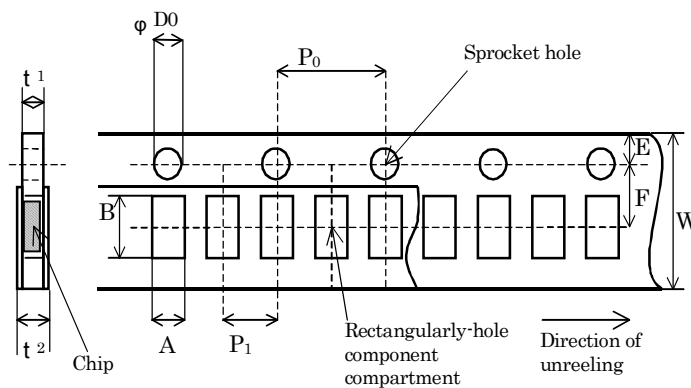
SMD3 (0603) NTC Thermistors

Product Definition

Part Number	Resistance [Ω] @ +25°C	Tolerance @ +25°C	Beta Value 25/85	Tolerance on Beta Value	Dissipation Constant in still air @ +25°C	Maximum Rated Wattage @ +25°C
SMD3.04KJ280JT	40	± 5%	2800	± 5%	1.7 mW/°C	150 mW
SMD3.1KJ280JT	100	± 5%	2800	± 5%	1.7 mW/°C	150 mW
SMD3.5KJ320JT	500	± 5%	3200	± 5%	1.7 mW/°C	150 mW
SMD31KJ325JT	1000	± 5%	3250	± 5%	1.7 mW/°C	150 mW
SMD32KJ410JT	2000	± 5%	4100	± 5%	1.7 mW/°C	150 mW
SMD33KJ410JT	3000	± 5%	4100	± 5%	1.7 mW/°C	150 mW
SMD35KJ355JT	5000	± 5%	3550	± 5%	1.7 mW/°C	150 mW
SMD310KJ344JT	10000	± 5%	3435	± 5%	1.7 mW/°C	150 mW
SMD310KJ375JT	10000	± 5%	3750	± 5%	1.7 mW/°C	150 mW
SMD315KJ380JT	15000	± 5%	3800	± 5%	1.7 mW/°C	150 mW
SMD320KJ380JT	20000	± 5%	3800	± 5%	1.7 mW/°C	150 mW
SMD330KJ400JT	30000	± 5%	4000	± 5%	1.7 mW/°C	150 mW
SMD347KJ400JT	47000	± 5%	4000	± 5%	1.7 mW/°C	150 mW
SMD3100KJ415JT	100000	± 5%	4150	± 5%	1.7 mW/°C	150 mW
SMD3150KJ425JT	150000	± 5%	4250	± 5%	1.7 mW/°C	150 mW
SMD3200KJ425JT	200000	± 5%	4250	± 5%	1.7 mW/°C	150 mW

Tape Dimensions

Type of taping	Carrier tape	Top cover tape	Bottom cover tape
Taping of rectangular punched carrier system	Paper	Thermal adhesion plastics	Thermal adhesion paper

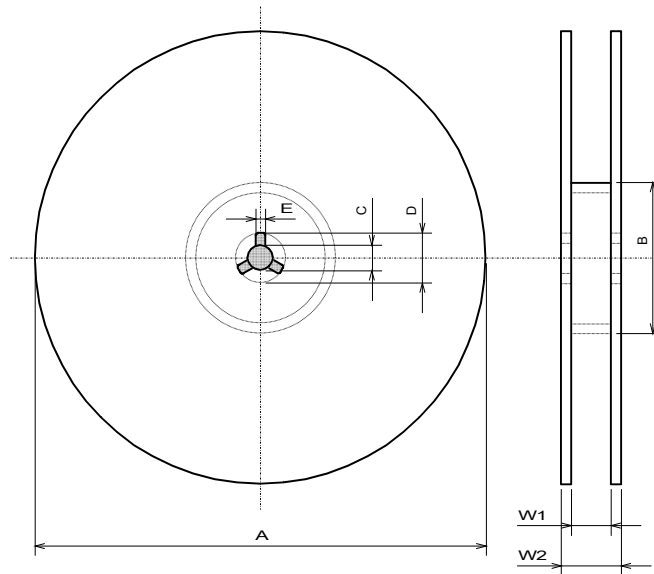


	A	B	W	F	E	Unit mm
SMD3 (0603)	1.1±0.05	1.90±0.20	8.00±0.30	3.50±0.05	1.75±0.10	
	P1	P2	P0	D0	t1	t2
SMD3 (0603)	4.00±0.1	2.00±0.05	4.00±0.10	1.55±0.05	-	1.0max.

Remark: Pitch tolerance over any 10 pitches of P0 is ±0.2mm.

SMD3 (0603) NTC Thermistors

Reel Dimensions



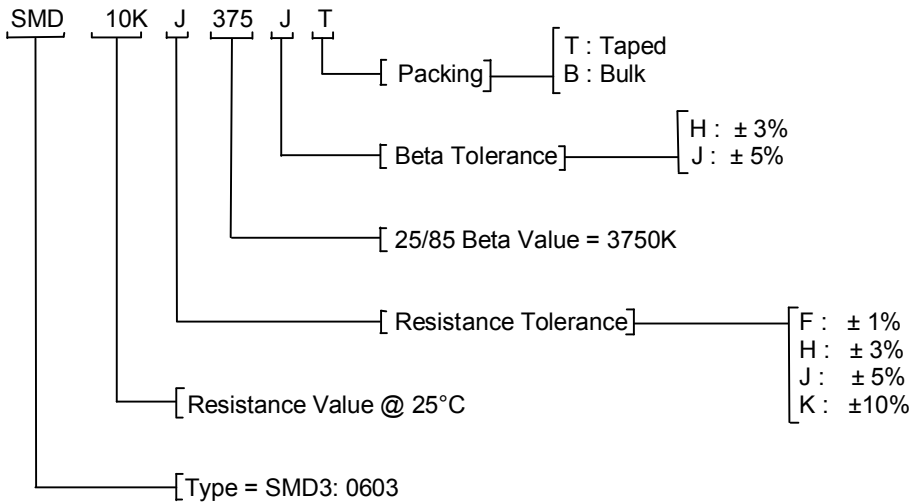
	<i>A</i>	<i>B</i>	<i>C</i>	<i>D</i>	<i>E</i>	Unit mm
SMD3 (0603)	180±20	>50	13±0.50	21±0.8	2±0.5	
	<i>W1</i>	<i>W2</i>				
SMD3 (0603)	10.00±1.50	6.00±0.5				

SMD3 (0603) NTC Thermistors

Ordering Information

Example:

Part Number	Description	Ω @ +25°C	MOQ
SMD310KJ375JT	0603 SMD Series 3 Thermistor – Taped & Reeled	10000	3000



Note:

For Resistance Tolerance ±1% @ +25°C the Beta Tolerance = H (±3%)

For Resistance Tolerance ±3, 5 & 10% @ +25°C the Beta Tolerance = J (±5%)

联系方式



深圳市亿为测控电子有限公司
Shenzhen Bill-Well Measurement & Control Electronics Co., Ltd.

广东省深圳市南山区创业路怡海广场东座2407 邮编：518000

电话：+86 755 2641 9890 传真：+86 755 2641 9680

电子邮箱：sales@bill-well.com

www.bill-well.com

深圳市亿为测控电子有限公司