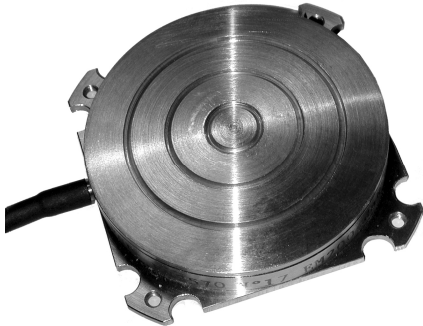


## FN2570-6 Pedal Load Cell



- **Extra-flat load cell**
- **200 to 2500 N (40 to 500 lbf)**
- **Stainless Steel material**
- **Cable Output**
- **Very easy fixation**

### DESCRIPTION

The FN2570 load cell has been developed for pedal force testing. It attaches easily on all types of pedals and test rigs for endurance and fatigue tests, especially where size is an important factor. Strain is measured with high precision independent of the point of application of force. A strain relief spring strengthens the cable output.

With many years of experience as a designer and manufacturer of sensors, Measurement Specialties, Inc. often works with customers to design or customize sensors for specific uses and testing environments.

Measurement Specialties, Inc. have many years of experience as a designer and manufacturer of sensing solutions to the automotive industry and can supply standard or custom sensors for specific uses and testing environments.

Consult Measurement Specialties, Inc. Engineering Department for a custom solution to your application.

### FEATURES

- Compression measurements
- Accuracy regardless of force application point
- Extra-flat and rugged design
- Easy installing

### APPLICATIONS

- On-board vehicle equipment
- Test bench equipment
- Laboratory and Research

### STANDARD RANGES

<b>Ranges in N</b>	200	500	1000	1500	2000	2500
<b>Ranges in lbf</b>	40	100	200	300	400	500

# FN2570-6 Pedal Load Cell

## PERFORMANCE SPECIFICATIONS

All values are typical at temperature 20±1° C

<b>Parameters</b>	
Operating Temperature Range (OTR)	-20 to 80° C [-4 to 176° F]
Compensated Temperature Range (CTR)	0 to 60° C [32 to 140° F]
Zero Shift in CTR	<0.5% F.S. / 50° C [/100° F]
Sensitivity Shift in CTR	<1% of reading / 50° C [/100° F]
Range (F.S.)	0-200 to 0-2500 N [0-40 to 0-500 lbf]
<b>Over-Range</b>	
Without Damage	1.5 x F.S.
Without Destruction	3 x F.S.
<b>Accuracy</b>	
Combined non-linearity & hysteresis	≤±2.5% F.S.

### Electrical Characteristics

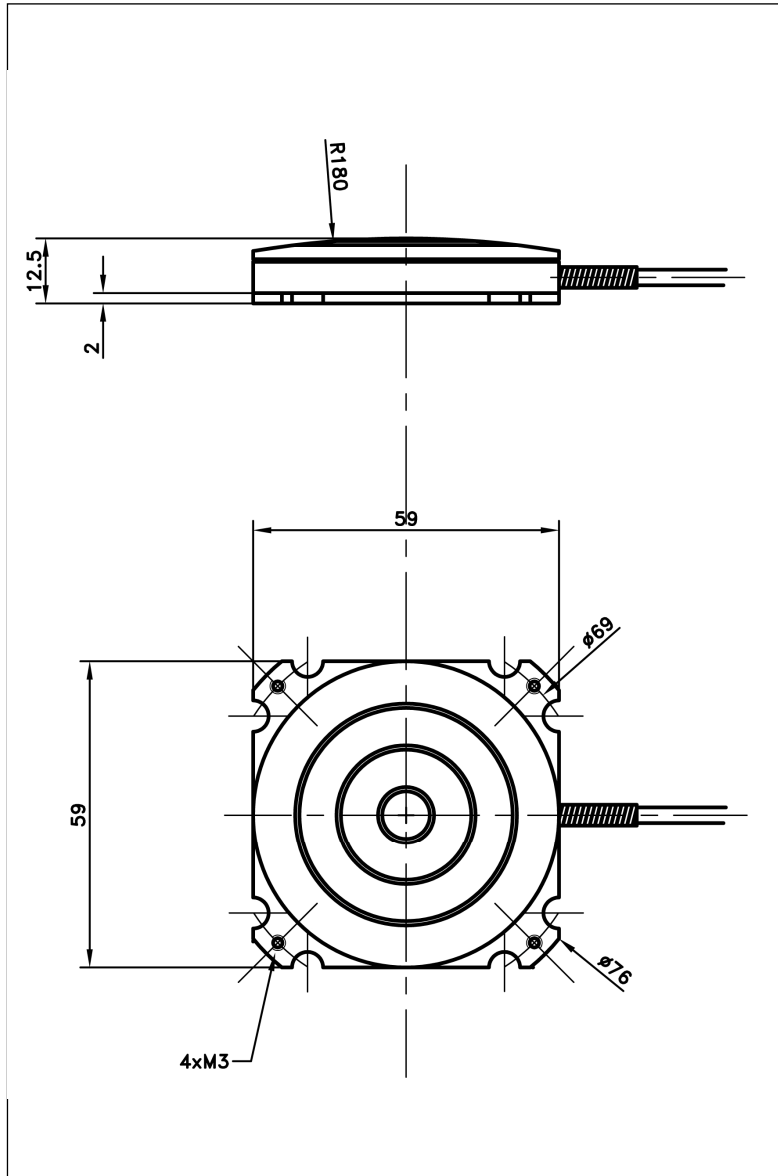
<b>Model</b>	<b>FN2570-6</b>
Supply Voltage	10Vdc
F.S. Output	±2mV/V
Zero Offset	±5% F.S.
Input Impedance/Consumption	700Ω
Output Impedance	700Ω
Insulation under 50Vdc	≥100MΩ

### Notes

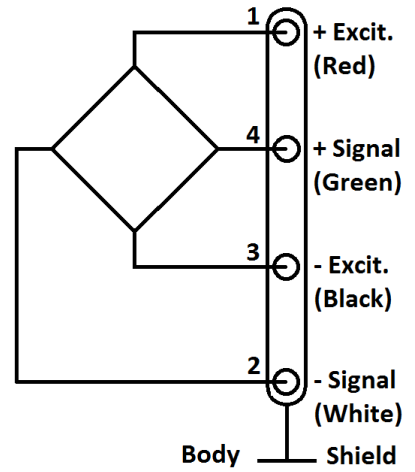
1. Electrical Termination: 2m shielded cable length
2. Material: stainless steel.
3. Protection Index: IP50
4. CE conformance according to EN 61010-1, EN 50081-1, EN 50082-1

# FN2570-6 Pedal Load Cell

## DIMENSIONS & WIRING SCHEMATIC (IN METRIC AND IMPERIAL)



Wiring Schematic



# FN2570-6 Pedal Load Cell

---

## OPTIONS

---

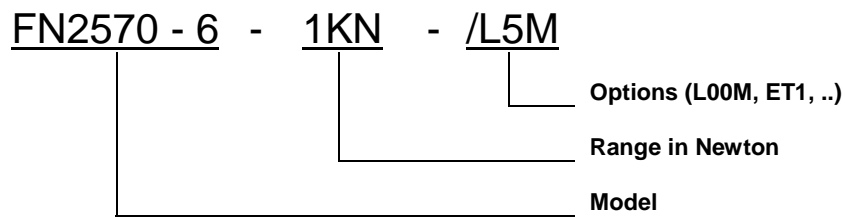
**ET1** : CTR -20 to 100° C OTR = CTR

**L00M** : special cable length, replace "00" with total length in meters

---

## ORDERING INFO

---



## 联系方式

---



深圳市亿为测控电子有限公司  
Shenzhen Bill-Well Measurement & Control Electronics Co., Ltd.

广东省深圳市南山区创业路怡海广场东座2407 邮编：518000

电话：+86 755 2641 9890 传真：+86 755 2641 9680

电子邮箱：sales@bill-well.com