

XPM4 Miniature Pressure Transducer



- Absolute, sealed and gauge ranges
5 to 200 bars [75 psi to 3 000 psi]
- Titanium device
- Cable or connector output
- For static and dynamic applications
- Linearity up to $\pm 0.35\%$ F.S.

DESCRIPTION

The **XPM4** is a miniature transducer designed to measure static and dynamic pressure under a wide variety of conditions, including hostile environments. The all-titanium construction and flush diaphragm protect the sensor against most corrosive environments.

The **XPM4** incorporates Measurement Specialties, Inc. cutting-edge SanShift™ technology, which virtually eliminates zero shifts caused by installation torque.

The **XPM4**'s sensing element is a fully temperature compensated Wheatstone bridge configuration made with high stability micro-machined silicon strain gauges which optimize performance, especially at low ranges and high frequencies. All models come with a cable output strengthened by a strain relief spring or with an electrical connector (optional).

With many years of experience as a designer and manufacturer of sensors, Measurement Specialties, Inc. often works with customers to design or customize sensors for specific uses and testing environments. To meet your needs we also offer complete turnkey systems. The matched components (sensor, power, amplifier and digital display) are formatted, calibrated and ready for immediate use.

FEATURES

- Flush Diaphragm, All-Titanium Construction
- Low Installation Torque Sensitivity
- M4x0.7 thread
- Linearity up to $\pm 0.35\%$ F.S.
- For Static and Dynamic Applications

APPLICATIONS

- Aerospace
- Explosion test benches
- Oven monitoring equipments
- Robotics and effectors
- Laboratory and research

STANDARD RANGES

Ranges in bar	5	10	20	35	50	100	200
Ranges in psi	75	150	300	500	750	1500	3000
Natural frequency (in kHz)	249	249	299	299	374	474	673

XPM4 Miniature Pressure Transducer

PERFORMANCE SPECIFICATIONS

All values are typical at temperature 20±1 ° C

PARAMETERS	
Operating Temperature Range (OTR)	-40 to 120 ° C [-40 to 248 ° F]
Compensated Temperature Range (CTR)	0 to 60 ° C [32 to 140 ° F]
Zero Shift in CTR	<2.5% F.S./50 ° C [/100 ° F] (<7% for 5 bar [75 psi] model)
Sensitivity Shift in CTR	<2% of reading /50 ° C [/100 ° F]
Range (F.S.)	See standard ranges table
Tightening Torque	
Nominal (zero and sensitivity shift <1%)	1.8 N.m [15 Lbf.in]
Maximal	3 N.m [25 Lbf.in]
Over-Range	
Without Damage	2 x F.S.
Without Destruction	5 x F.S.
Accuracy	
Linearity	±0.35% F.S. (±0.5% for 5 bar [75 psi] model)
Hysteresis	±0.25% F.S.
Repeatability	±0.2% F.S.

Electrical Characteristics

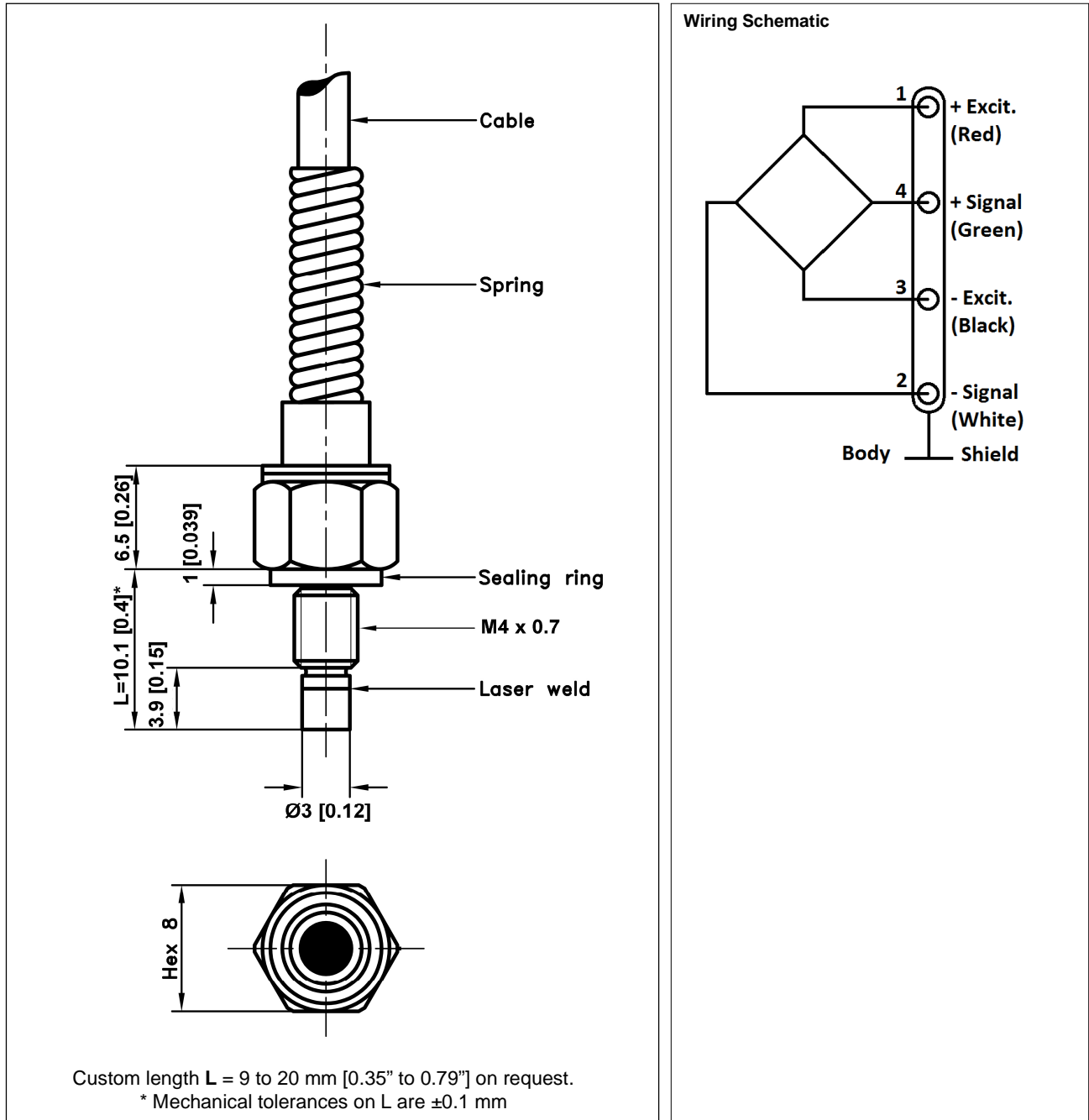
Model	XPM4
Supply Voltage	10Vdc
F.S. Outputs	Model 5 bar [75 psi] ; 30mV Model 10 bar [150 psi] ; 60mV Model > 10 bar [>150 psi] ; 100mV
Zero Offset	<±10mV
Input Impedance/Consumption	1500 Ω
Output Impedance	800 Ω
Insulation under 50Vdc	≥100MΩ

Notes

1. Electrical Termination: Shielded Ø3 mm cable with 4 wires (AWG30), standard length 2.0 m [6.6 ft] with strain relief spring
2. Material: Body and flush diaphragm in titanium; laser welded
3. Protection Index: IP50
4. Resonance Frequency: 200-750kHz depending on F.S.
5. Self-centered, sealing ring supplied with the sensor
6. CE conformance according to EN 61010-1, EN 50081-1, EN 50082-1

XPM4 Miniature Pressure Transducer

DIMENSIONS & WIRING SCHEMATIC (IN METRIC AND IMPERIAL)



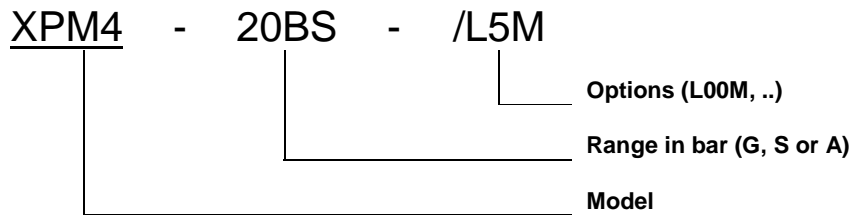
Dimensions in mm [inch]

XPM4 Miniature Pressure Transducer

OPTIONS

A : Absolute
G : Gauge
S : Sealed Gauge
HA : Accuracy (CNL&H) $\leq \pm 0.35\%$ F.S. ($\leq \pm 0.5\%$ for 5 bar [75 psi] model)
SI : Sensitivity shift in CTR $\leq 1\%$ of reading / 60 ° C [90 ° F] (except 5 bar [75 psi] model)
ZI : Zero shift in CTR $\leq 1.5\%$ F.S. / 60 ° C [140 ° F] (except 5 bar [75 psi] model)
ET1 : CTR -20 to 100 ° C [-4 to 212 ° F]
ET3 : CTR -40 to 150 ° C [-40 to 302 ° F] OTR=CTR
SC : Connector output, prewired, cable length 2 m [6.6 ft]
P5 : IP65 protection (available only for Absolute and Sealed Gauge versions)
P7 : IP67 protection (available only for Absolute and Sealed Gauge versions)
L00M : special cable length, replace "00" with total length in meters

ORDERING INFO



联系方式



深圳市亿为测控电子有限公司
Shenzhen Bill-Well Measurement & Control Electronics Co., Ltd.

广东省深圳市南山区创业路怡海广场东座2407 邮编：518000

电话：+86 755 2641 9890 传真：+86 755 2641 9680

电子邮箱：sales@bill-well.com