

P105 High Pressure Transducer



- Range 0-1000 to 4000 bar [15k psi to 60k psi]
- Stainless steel diaphragm
- High level output in option
- Cable gland output
- $\pm 0.3\%$ accuracy

Specific model P125 up to 7 000 bar

DESCRIPTION

The **P105** is a high pressure transducer designed to measure static and dynamic pressure under a wide variety of conditions, including hostile environments. The mechanical design and a stainless steel diaphragm allow the sensor to withstand most aggressive liquids.

The sensing element is fitted with a temperature compensated Wheatstone bridge equipped with thin strain gauges. With the **P105-A1/A2** Series Measurement Specialties, Inc. offers a high level output model.

For higher range, a specific sensor, model **P125**, can measure up to 7 000 bar. Do not hesitate to contact and ask your local MEAS representative for its technical specification.

With many years of experience as a designer and manufacturer of sensors, Measurement Specialties, Inc. has the expertise to customize and/or design sensors for specific uses and testing environments. To meet your needs we also offer complete turnkey systems. Our conditioning electronics can power the sensor, amplify the electronic signal, and display the data digitally. A turnkey measurement system arrives with matched components, formatted, calibrated and ready for your immediate use.

FEATURES

- M20x1.5 high pressure port
- Metal / metal screw sealing
- Optional Connector output
- High Level Tension Output Available
- Heavy duty body

APPLICATIONS

- Hydraulic regulation process
- Explosion test benches
- Sealing test benches
- Fatigue test benches
- Laboratory and research

STANDARD RANGES

Range in bar	1k	2k	3k	4k
Range in psi	15k	30k	45k	60k

P105 High Pressure Transducer

CHARACTERISTICS

All values are typical at temperature 20±1° C

Parameters	
Operating Temperature Range (OTR)	-20 to 80° C [-4 to 176° F]
Compensated Temperature Range (CTR)	0 to 50° C [32 to 122° F]
Zero Shift in CTR	<2% F.S. / 50° C [/100° F]
Sensitivity Shift in CTR	<2% of reading / 50 °C [/100° F]
Range (F.S.)	1000, 2000, 3000, 4000 bar, G = gauge type only
Over-Range	
Without Damage	1.5 x F.S. or max. 5000bar.
Without Destruction	3 x F.S. or max. 5000bar
Accuracy	
Combined Non-Linearity & Hysteresis	±0.3% F.S.

Electrical Characteristics

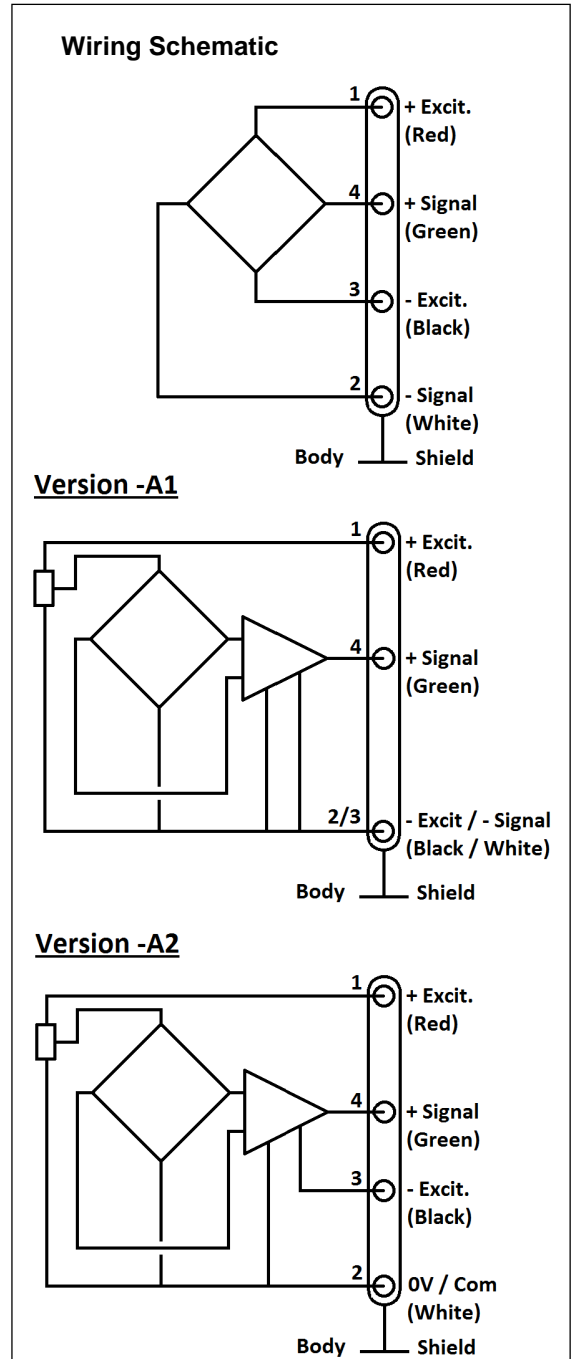
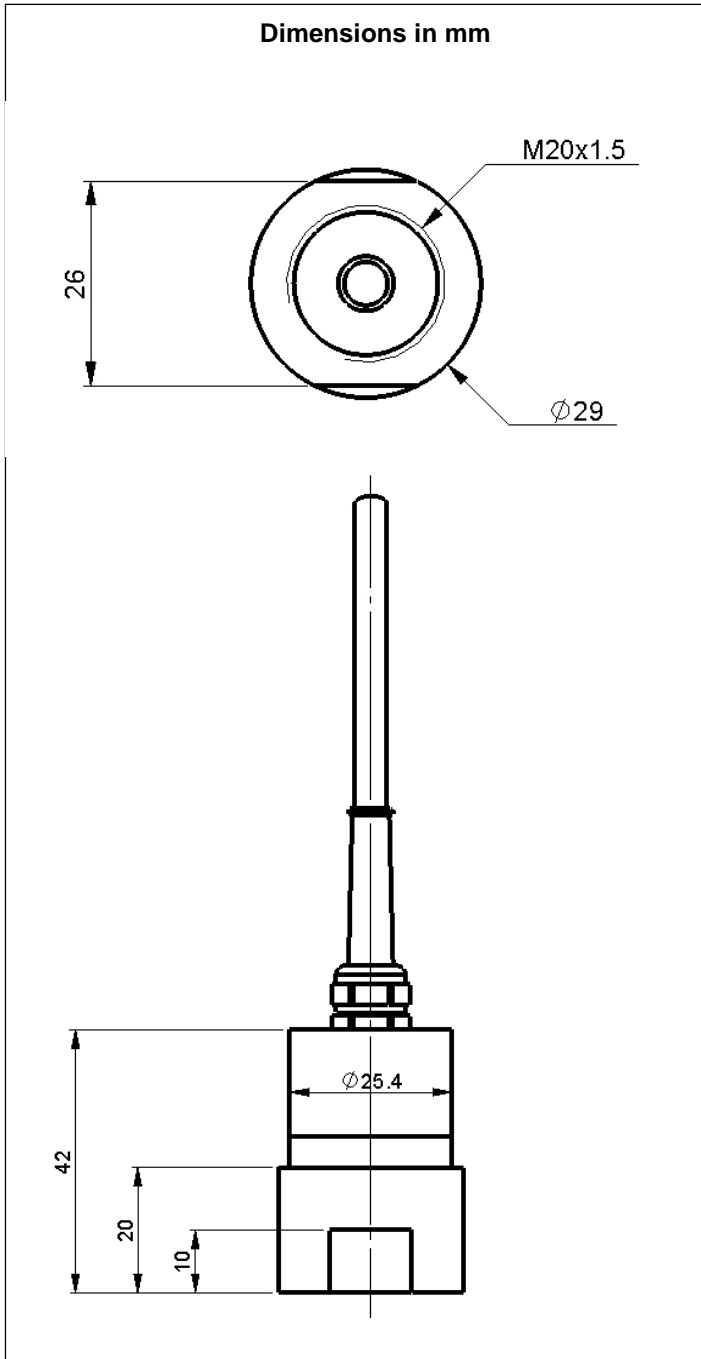
Model	P105	P105-A1	P105-A2
Supply Voltage	5 Vdc	10 to 30 Vdc	±15 Vdc (±12 to ±18 Vdc)
F.S. Output ⁶	1.5 mV/V	4 V ±5% F.S.	5 V ±5% F.S.
Zero Offset ⁶	<± 5% F.S.	0.5 V ±5% F.S.	0 V ±5% F.S.
Input Impedance/Consumption	350 Ω	<25 mA	<25 mA
Output Impedance	350 Ω	1 kΩ ⁷	1 kΩ ⁷
Insulation under 50Vdc	≥100 MΩ	≥100 MΩ	≥100 MΩ

Notes

1. Electrical Termination: Cable gland, standard length 2m[6.6ft]
2. Material: Stainless steel diaphragm, body in aluminium
3. High pressure connector with metal-metal conic sealing pressure port
4. Weight: 300g [0.66lb]
5. Protection Index: IP50
6. Standard output signal, custom outputs available on request
7. Output impedance standard, available <100Ω on request.
8. CE conformance according to EN 61010-1, EN 50081-1, EN 50082-1

P105 High Pressure Transducer

DIMENSION & WIRING SCHEMATIC (METRIC ONLY)

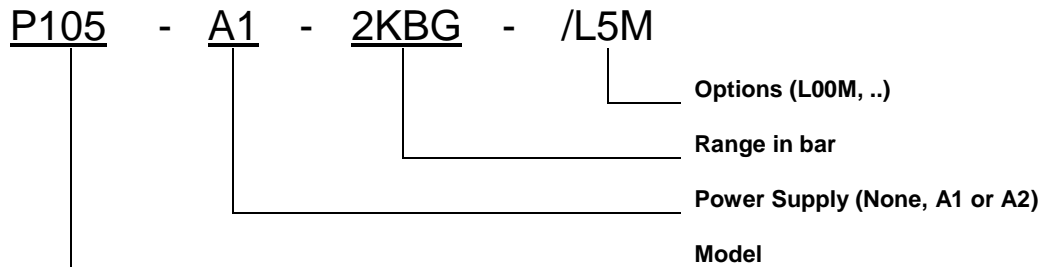


P105 High Pressure Transducer

OPTIONS

A1	: Amplified Tension output with unipolar power supply
A2	: Amplified Tension output with bipolar power supply
ET1	: CTR -20 to 100° C [-4 to 212° F]
ET2	: CTR -40 to 120° C [-40 to 248° F]
L00M	: special cable length, replace "00" with total length in meters

ORDERING INFORMATION



联系方式



深圳市亿为测控电子有限公司
Shenzhen Bill-Well Measurement & Control Electronics Co., Ltd.

广东省深圳市南山区创业路怡海广场东座2407 邮编：518000

电话：+86 755 2641 9890 传真：+86 755 2641 9680

电子邮箱：sales@bill-well.com