

Model 801X-VR/-VP Velocity Transmitter



4-20mA Loop Power
 True RMS or Peak Output
 -40°C to +85°C Operating Range
 Top Exit Connector or Integral Cable



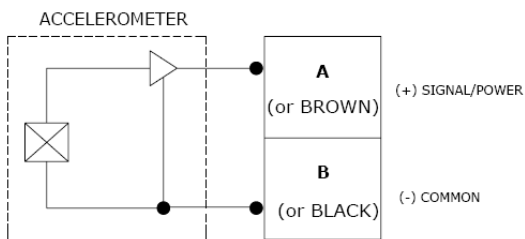
The Model 8011 & 8012 are internally shielded rugged 4-20mA velocity transmitters. The transmitters are available in ranges from 0.5 to 5.0 in/sec, in either RMS or Peak velocity output options. The model 8011 features a top exit MIL-C-5015 connector while the model 8012 features an integral cable. The units are hermetically sealed and are designed for operating in temperature ranges from -40°C to +85°C.

FEATURES

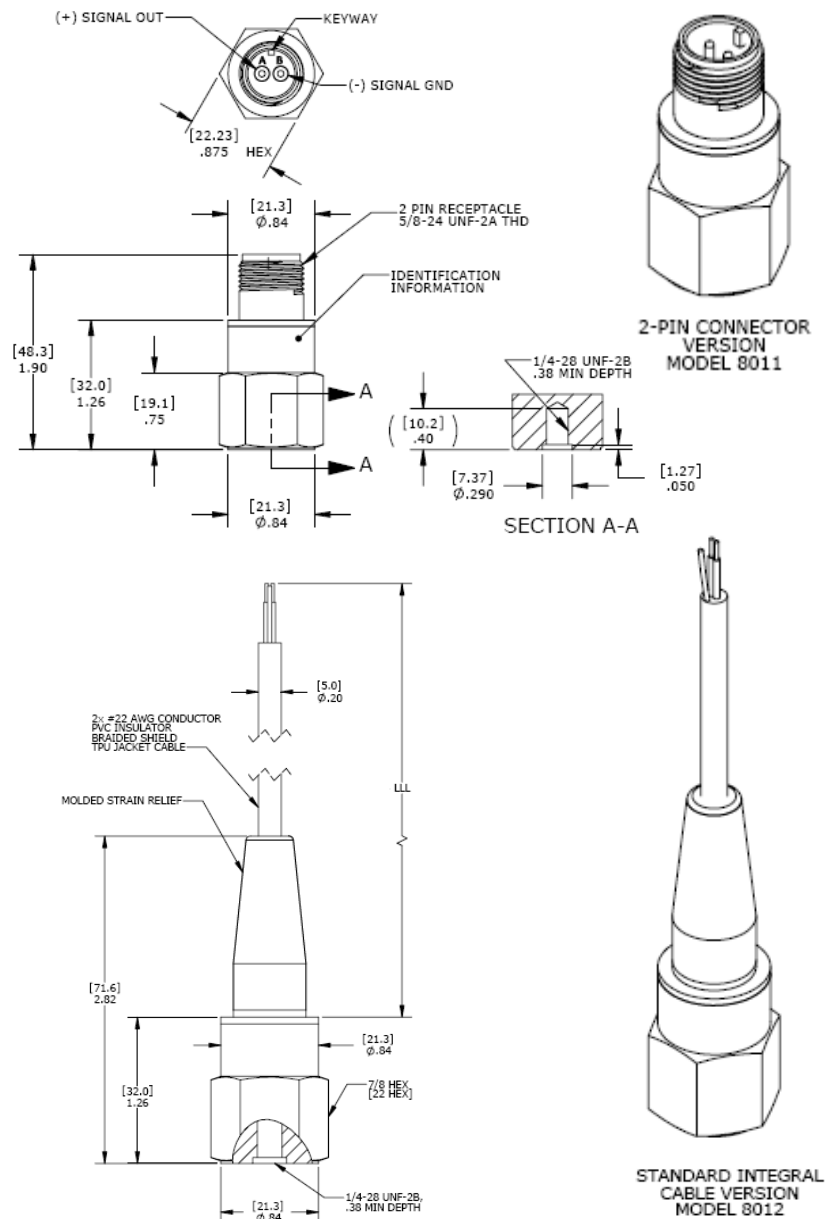
- 0.5 to 5.0 in/sec Dynamic Range
- 3-1000Hz Bandwidth
- Case Isolated, Internally Shielded
- Hermetically Sealed, Welded
- Annular Shear Mode
- Reverse Wiring Protection
- 2-Pin MIL-C-5015 Connector

APPLICATIONS

- General Purpose
- Machine Monitoring
- Industrial Applications
- Harsh Environments
- Gearbox Monitoring



dimensions



Model 801X-VR/-VP Velocity Transmitter

All values are typical at +24°C, 100Hz and 15Vdc excitation unless otherwise stated. Measurement Specialties reserves the right to update and change these specifications without notice. Standard product parameters are described in PSC-1003 for Plug & Play AC Accelerometers.

Parameters

DYNAMIC						Notes
Measurement Range (in/sec)	0-0.5	0-1.00	0-2.00	0-3.00	0-5.00	
Measurement Range (mm/sec)	0-12.7	0-25.4	0-50.8	0-76.2	0-127	
Output (mA)	4-20	4-20	4-20	4-20	4-20	
Frequency Response (cpm)	180-60000	180-60000	180-60000	180-60000	180-60000	±10%
Frequency Response (Hz)	3-1000	3-1000	3-1000	3-1000	3-1000	±10%
Non-Linearity (%FSO)	±1					
Transverse Sensitivity (%)	<5					
Shock Limit (g)	5000					

ELECTRICAL

Excitation Voltage (Vdc)	12 to 30	
Loop Resistance (Ohms)	900 max	See Note 1
Turn on Time (sec)	<15	
Grounding	Case Isolated, Internally Shielded	

ENVIRONMENTAL

Operating Temperature (°C)	-40 to +85
Storage Temperature (°C)	-40 to +85

PHYSICAL

Sensing Element	Ceramic (shear mode)
Case Material	Stainless Steel
Weight (grams)	93
Mounting Torque	24 lb-in (2.7 N-m)

Calibration supplied: CS-FREQ-0100 NIST Traceable Amplitude Calibration from 20Hz to ±10% Frequency Response Limit

Supplied accessories: AC-A03663 ¼-28 to ¼-28 mounting stud

Optional accessories:

316-XXX	Cable Assembly, Straight (XXX designates length in inches, 10ft standard)
318-XXX	Cable Assembly, 90 Degrees (XXX designates length in inches, 10ft standard)
AC-D03664	¼-28 to M5 mounting stud
AC-D03665	¼-28 to M6 mounting stud
AC-A04209	Magnetic Mounting Adaptor
AC-D04210	Adhesive Mounting Adaptor

Note 1

Maximum Loop Resistance = (Excitation Voltage – 12Vdc) / 20mA

ordering info

PART NUMBERING

801X-ZZ-GG-CCC

| | | | Cable length (120 is 120 inches)
 | | | Dynamic Range (05 is 0-0.5 in/sec)
 | | Range Type (VR is RMS Velocity)
 | Electrical Connection Option (1 for 2-pin connector, 2 for integral cable)

-ZZ
 VR = RMS
 VP = Peak

-GG
 05 = 0-0.5 in/sec (0-12.7 mm/sec)
 10 = 0-1.0 in/sec (0-25.4 mm/sec)
 20 = 0-2.0 in/sec (0-50.8 mm/sec)
 30 = 0-3.0 in/sec (0-76.2 mm/sec)
 50 = 0-5.0 in/sec (0-127 mm/sec)

Example: 8011-VR-10

Model 8011, 2-pin connector, RMS velocity output, 0-1.0 in/sec

联系方式



深圳市亿为测控电子有限公司
 Shenzhen Bill-Well Measurement & Control Electronics Co., Ltd.

广东省深圳市南山区创业路怡海广场东座2407 邮编：518000

电话：+86 755 2641 9890 传真：+86 755 2641 9680

电子邮箱：sales@bill-well.com