

# DPG-Series Inclinometer

Dual axis inclinometer  
Measurement ranges  
 $\pm 5^\circ$ ,  $\pm 10^\circ$ ,  $\pm 15^\circ$   
and  $\pm 30^\circ$   
RS 232 and voltage output



dimensions [mm]

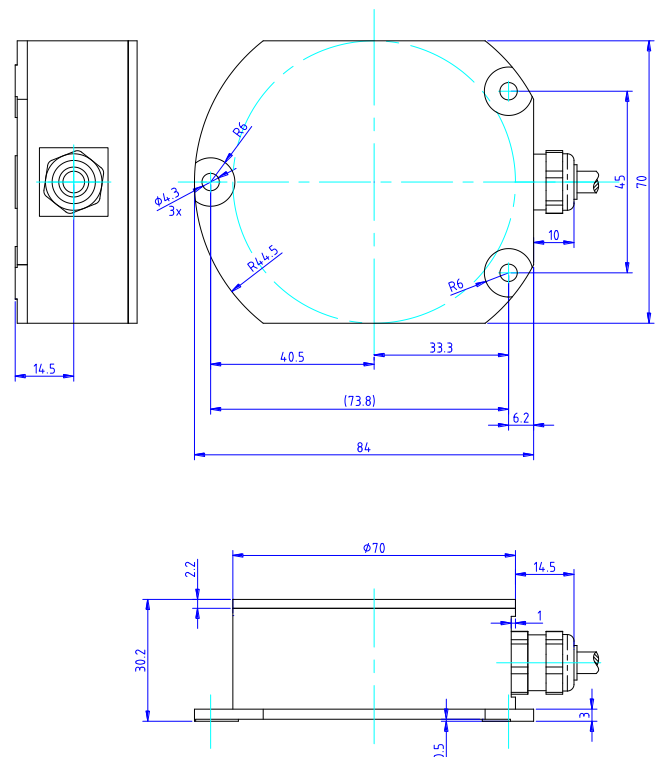
The **DPG-Series** dual axis conductive inclinometer in aluminum housing offers the user modern microprocessor technology with an integrated active linearization and temperature compensation. This inclinometer is full calibrated, easy to horizontal mount and absolute plug and play compatible.

## FEATURES

- Robust IP67/68 housing
- High accuracy
- High resolution
- Temperature compensated
- High output data transfer
- Cable integrated
- Programmable digital filtering to minimized influences from shock and vibration

## APPLICATIONS

- Mobile and stationary cranes
- Lift platforms
- Building control
- Weighing systems
- Truck chassis levelling
- Vehicle applications
- Road construction machines



# DPG-Series Inclinometer

## performance specifications

### PARAMETERS

	Conditions	Min	Type	Max	Unit
Measurement range		-5/-10/ -15/ -30		+5/ +10/ +15/ +30	°
Resolution		0.001			°
Accuracy 1 (absolute)	Ta = 0°...50°C		0.06/ 0.09/ 0.2/ 0.5		°
Accuracy 2 (absolute)	Ta = -40°C...+85°C		0.12/ 0.15/ 0.25/ 0.8		°
Offset temperature drift error	Ta = -25°C...+75°C		0.05		°
	Ta = -40°C...+85°C		0.1		°
Noise RMS			0.003		°
Output rate, programmable	RS 232	0.5	10	25	Hz
Baud rate, programmable	RS 232		9.6		kB
Output voltage signal	analogue	0.3		4.7	V
Current consumption			20		mA
Power supply		7		30	VDC
Operation temperature range		-40		+85	°C
Storage temperature range		-40		+85	°C
Weight			280		g
Cable, pigtail			1000		mm
Dimensions	W x D x H		84 x 70 x 31		mm

### Cable configuration

No	Name	Description	Type	Cable color
1	Vcc	Positive power supply	Supply, Input	white
2	RxD	RS 232 input	Input 1	grey
3	GND	Ground	Supply, Input	yellow
4	Out X	Voltage out X	Output 2	brown
5	Out Y	Voltage out Y	Output 2	green
6	TxD	RS 232 output	Output 1	pink

For more details please use the product specification / application note / instruction manual.

## ordering info

### PART NUMBERING

### UNIT

### SHORT DESCRIPTION

G-NSDPG2-003	NS- 5/DPG2-RUD	Range +/- 5°, Vcc +7... 30VDC, output RS232, voltage +0.3...+4.7V
G-NSDPG2-001	NS-10/DPG2-RUG	Range +/-10°, Vcc +7... 30VDC, output RS232, voltage +0.3...+4.7V
G-NSDPG2-002	NS-15/DPG2-RUG	Range +/-15°, Vcc +7... 30VDC, output RS232, voltage +0.3...+4.7V
G-NSDPG2-005	NS-30/DPG2-RUN	Range +/-30°, Vcc +7... 30VDC, output RS232, voltage +0.3...+4.7V

## 联系方式



深圳市亿为测控电子有限公司  
Shenzhen Bill-Well Measurement & Control Electronics Co., Ltd.

广东省深圳市南山区创业路怡海广场东座2407 邮编：518000

电话：+86 755 2641 9890 传真：+86 755 2641 9680

电子邮箱：sales@bill-well.com