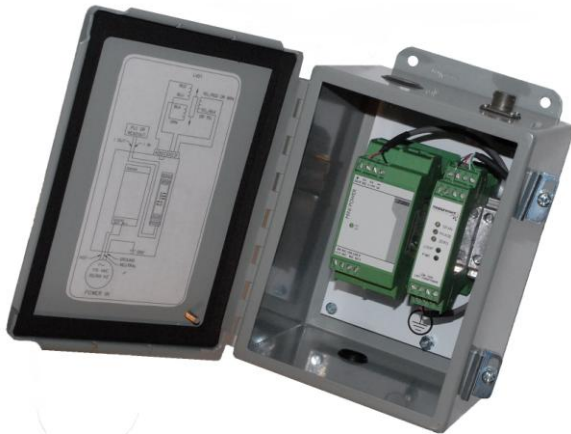


# IEM-422 Line Powered Industrial LVDT/RVDT Current Transmitter



- 115/230VAC line powered
- NEMA-13 rated enclosure
- 4 to 20mA output
- Zero, span and phase adjustable
- 2.5, 5 and 10kHz excitation frequencies
- Low noise, 3-pole Butterworth filter
- Master/slave capability
- Compatible with 4, 5 & 6 wire LVDTs/RVDTs
- Power and loop status LED's

## DESCRIPTION

The **IEM-422** is a line-powered LVDT/RVDT compatible current transmitter, designed for industrial process control applications. The IEM-422 consists of a DIN rail mount power supply and an LVDT signal conditioner module, pre-configured to supply a 4 to 20 mA output from a 115 or 230 volt AC supply. The IEM-422 supplies an AC sine wave excitation to the LVDT and then demodulates and amplifies the LVDT output. A full-wave synchronous demodulator eliminates quadrature and harmonics to maximize external noise rejection.

The IEM 422 is housed in a rugged NEMA 13 enclosure to protect it from dirt, dust, water and other contaminants commonly found in industrial environments. Power, input and signal output connections are made easy by using conduit ports to make the appropriate connections. LVDT hookup is completed by mating to the box-mounted, sealed M/S-style bayonet connector. The internal signal conditioner is also capable of providing several different DC output voltage signals to accommodate varying PLC and analog I/O requirements. The frequency response is internally selectable, as is the master/slave function which allows synchronization of multiple IEM-422 transmitters to prevent beat frequencies and cross talk between transducers.

Also see our other LVDT/RVDT signal conditioner models:

- LVM-110** ±15VDC supply, ±10 and 0 to 10VDC outputs, open circuit board
- LiM-420** 24VDC supply, 4-20mA (3-wire) output, open circuit board
- ATA-2001** Line powered, DC voltage and current outputs, push-button programmable
- PML-1000** AC or DC supply, DC voltage, current and RS485 outputs, 1/8<sup>th</sup> DIN panel meter,
- MP-2000** Line-powered, analog DC & RS232 outputs, ¼ DIN, dual channel set point controller with bit-mapped display

Measurement Specialties acquired Schaevitz Sensors and the **Schaevitz™** trademark in 2000.

## FEATURES

- Rugged NEMA-13 rated enclosure
- Conduit ports for easy connection
- Pre-configured 4-20mA output signal
- Bolt holes for easy mounting
- Multiple LVDT master/slave capability

## APPLICATIONS

- Steam turbine control systems
- Process control systems
- Pulp/paper industry
- Petrochemical process control
- Roller gap position

## PERFORMANCE SPECIFICATIONS

SPECIFICATIONS	
Supply voltage	85 to 264 VAC @ 45-65Hz
Output range	4 to 20mA
Zero output	12mA
Zero adjustment range	±30% of FRO
Temperature coefficient of output	±0.02% of FSO per degree F [±0.036% of FSO per degree C]
Operating temperature range	-13°F to +185°F [-25°C to 85°C]
Current output noise & ripple	25µA maximum
Current loop resistance	700Ω maximum
Frequency response	250Hz and 1kHz @ -3 dB (DIP switch selectable, 250Hz as shipped)
Non-linearity	≤±0.02% of FS
Weight	8.9 lbs [4.04 kilograms]
Transducer excitation	
Voltage	1 and 3VRMS (DIP switch selectable, 3VRMS as shipped)
Current	25mA RMS
Frequency	2.5, 5 and 10kHz (DIP switch selectable, 2.5kHz as shipped)
Transducer requirements	
LVDT/RVDT input impedance	50Ω minimum @ 1VRMS excitation ; 150Ω minimum @ 3VRMS

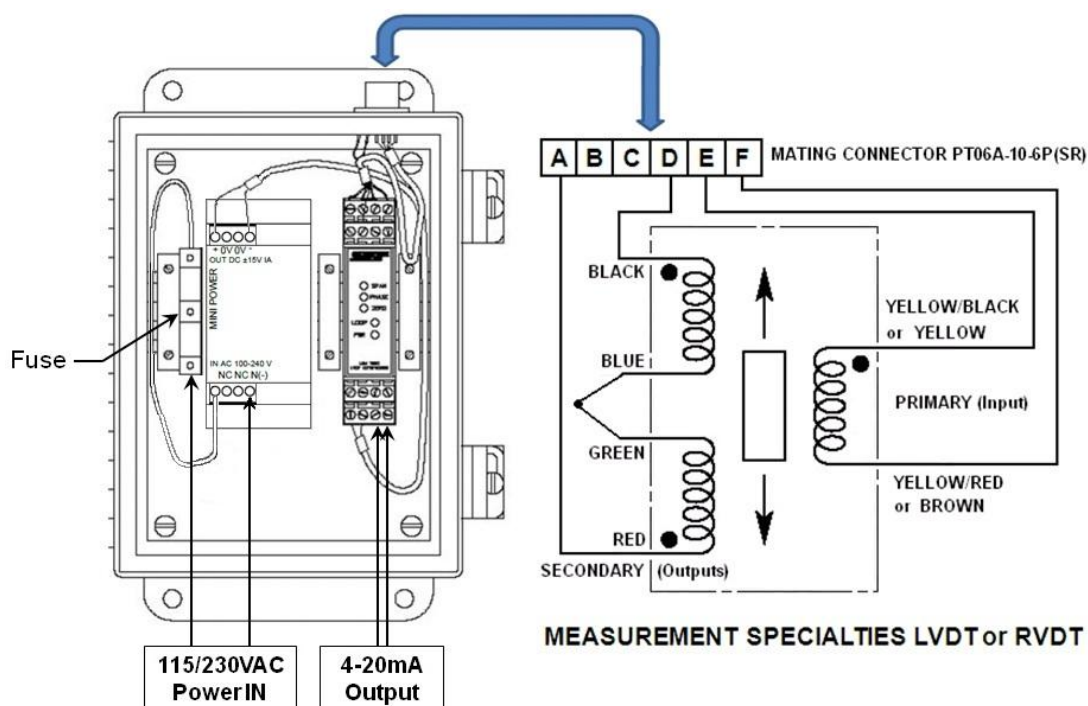
### Notes:

All values are nominal unless otherwise noted

FSO (Full Scale Output) is the largest absolute value of the outputs measured at the range ends

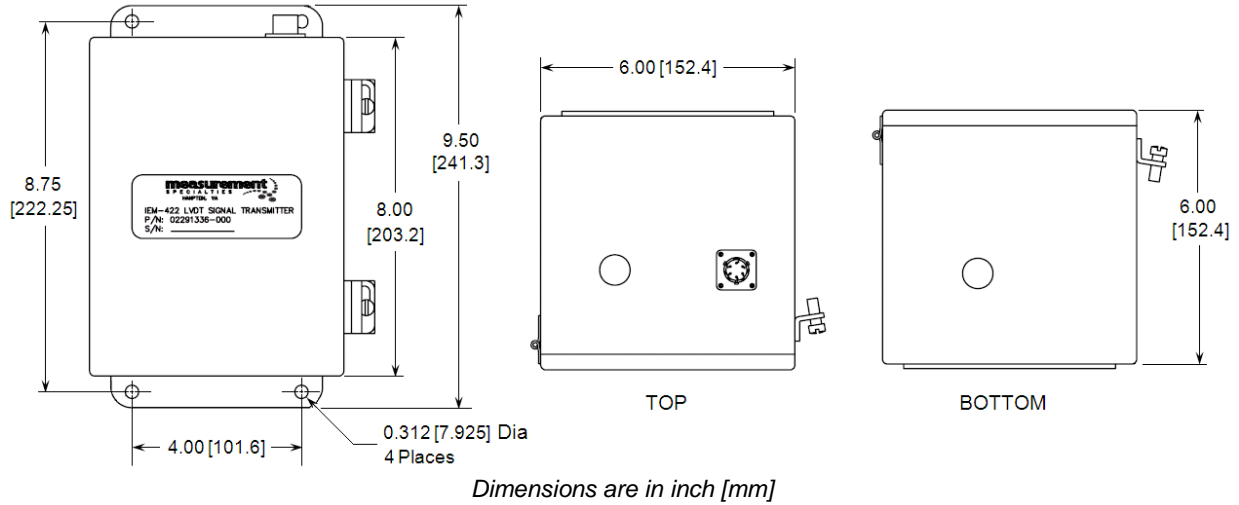
FRO (Full Range Output) is the algebraic difference in measured outputs at the ends of the range

## WIRING



# IEM-422 Line Powered Industrial LVDT/RVDT Current Transmitter

## DIMENSIONS



## ORDERING INFORMATION

Description	Part Number
IEM-422 Current Transmitter	02291336-000
Mating connector for LVDT/RVDT, Amphenol/Bendix PTO6A-10-6P(SR)	62101056-000
Cable to connect HCA/HCI/GCA/R36AS to IEM-422, PTO6A-10-6S to PTO6A-10-6P (1)	04290133-000
Cable to connect MP Series LVDT to IEM-422, Stripped & Tinned to PTO6A-10-6P (1)	04290594-000

(1) All cables are shielded, 10 foot long, and rated 80°C [176°F] operating. Consult factory for other lengths.

## 联系方式



深圳市亿为测控电子有限公司  
Shenzhen Bill-Well Measurement & Control Electronics Co., Ltd.

广东省深圳市南山区创业路怡海广场东座2407 邮编：518000

电话：+86 755 2641 9890 传真：+86 755 2641 9680

电子邮箱：sales@bill-well.com