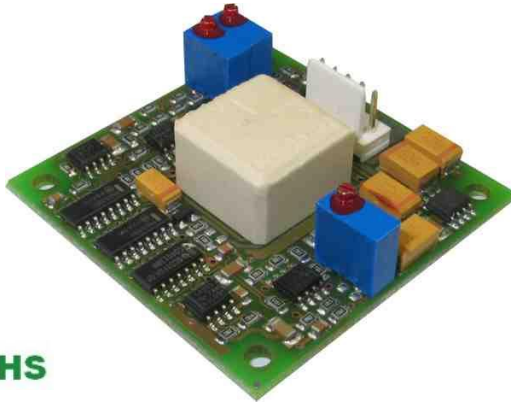


25/E2-Series Inclinator



- Dual axis inclinometer
- Measurement range $\pm 25^\circ$
- analogue voltage output signal
- OEM module

DESCRIPTION

The **25/E2-Series** is a biaxial inclination sensor as a PCB Module for OEM use with measurement range $\pm 25^\circ$. It consists of one dual basic inclination sensor cells based on a conductance measurement principle and their complete electronic biasing and readout, which is carefully designed in order to minimize drift and temperature effects.

FEATURES

- High zero point stability
- Analogue voltage output signal
- Easy for mounting
- PCB level
- Fast response time
- Low drift sensitivity
- Low noise level

APPLICATIONS

- Road construction machines
- Vehicle applications
- Building control
- Mobile and stationary cranes
- Hydraulic leveling
- Platform leveling
- Drilling machines

25/E2-Series Inclinometer

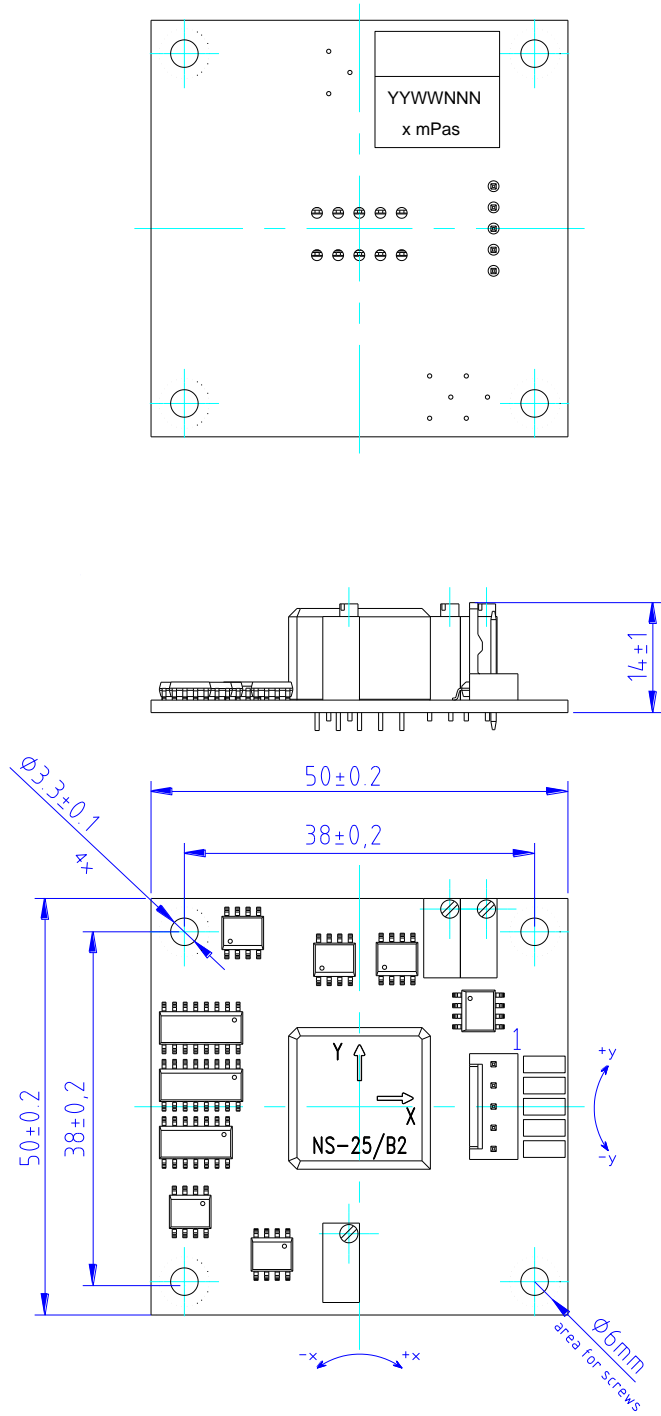
PERFORMANCE SPECIFICATIONS

	Conditions	Min	Type	Max	Unit
Measurement range		-25		+25	°
Resolution			0.01		°
Accuracy	Ta = 0°...70°C,		0.3		°
Non-linearity			1.5		%[FS]
Cross sensitivity			0.2		%[FS]
Power supply (1)	Type 3		+5		VDC
Voltage output signal(1)	Type 3, to Vref :+2.5VDC	-2		+2	V
Power supply(2)	Type 4	+12		+24	VDC
Voltage output signal (2)	Type 4, to Vref : +2.5VDC	-2		+2	V
Power supply(3)	Type 7	+12		+24	VDC
Voltage output signal(3)	Type 7, to GND	+2.5		+2.5	V
Current consumption		15		30	mA
Operation temperature range		-25		+70	°C
Storage temperature range		-40		+85	°C
Weight			20		g
Dimensions	W x D x H		50 x 50 x 14		mm

- (1) notice pinning schema type 3
- (2) notice pinning schema type 4
- (3) notice pinning schema type 7

25/E2-Series Inclinometer

DIMENSIONS [MM]

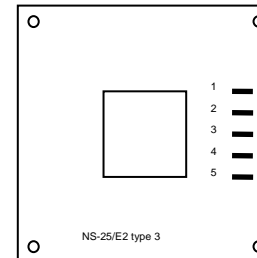


25/E2-Series Inclinometer

PINNING

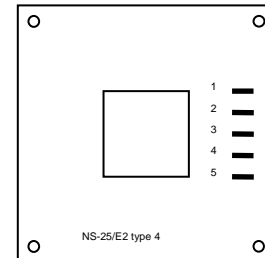
Pinning schema type 3

Pin	Name	Description	Type
1	Vcc	Positive power supply +5 VDC	Supply, Input
2	Vref	Reference potential +2.5VDC, S-GND	Output
3	GND	Ground (negative supply voltage)	Supply, Input
4	Out X	Output voltage signal X axis	Output
5	Out Y	Output voltage signal Y axis	Output



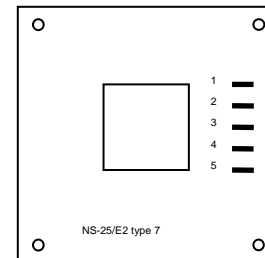
Pinning schema type 4

Pin	Name	Description	Type
1	Vcc	Positive power supply +12...+24 VDC	Supply, Input
2	Vref	Reference potential +2.5VDC, S-GND	Output
3	GND	Ground (negative supply voltage)	Supply, Input
4	Out X	Output voltage signal X axis	Output
5	Out Y	Output voltage signal Y axis	Output

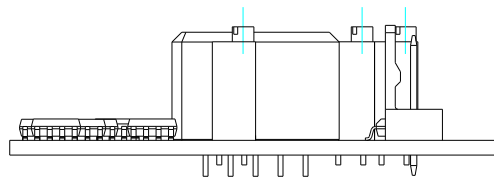


Pinning schema type 7

Pin	Name	Description	Type
1	Vcc	Positive power supply +12...+24 VDC	Supply, Input
2	GND	Ground (negative supply voltage)	Supply, Input
3	n.c.	n.c.	-
4	Out X	Output voltage signal X axis	Output
5	Out Y	Output voltage signal Y axis	Output



MOUNTING



This kind of unit is for horizontal mounting only suitable.

25/E2-Series Inclinometer

ORDERING INFORMATION

PART NUMBERING	UNIT	SHORT DESCRIPTION
G-NSE2-014	NS-25/E2 type 3	dual axis, +/- 25° angle, Vcc: + 5 VDC, output +/-2 V
G-NSE2-015	NS-25/E2 type 4	dual axis, +/- 25° angle, Vcc: +12...+24VDC, output +/-2 V
G-NSE2-013	NS-25/E2 type 7	dual axis, +/- 25° angle, Vcc: +12...+24VDC, output +/- 2.5V

联系方式



深圳市亿为测控电子有限公司
Shenzhen Bill-Well Measurement & Control Electronics Co., Ltd.

广东省深圳市南山区创业路怡海广场东座2407 邮编：518000

电话：+86 755 2641 9890 传真：+86 755 2641 9680

电子邮箱：sales@bill-well.com